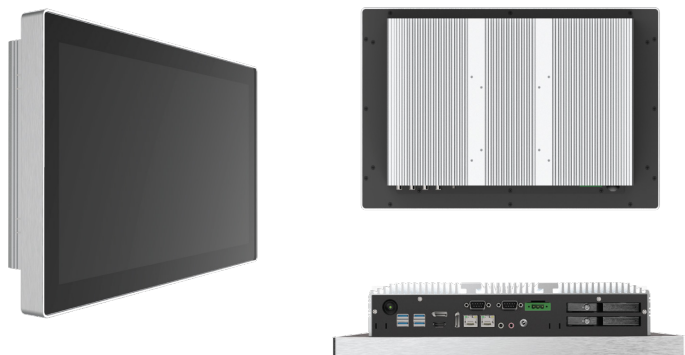


LPC-P170SAG-2AxMT/H

17" (1280*1024) Fanless P-cap Panel PC with Intel® Gen. 12th 35W LGA1700 CPU, IP65 Front side, 2x USB 3.2, 2x USB2.0, 2x 2.5Gbps LAN, 2x COM, 1x HDMI, 2x DP and DC 12~28V Power Input with DC 24V Power Adapter, -20~60°C



Features

- ▶ 17" LCD with 1280*1024 resolution
- ▶ Intel Gen., 12th LGA1700 35W Processor
- ▶ IP65 Front Bezel
- ▶ 350 nits LED Backlight
- ▶ 35W Fanless Design
- ▶ Dual 2.5" Storage Tray
- ▶ VESA 75 x 75 / 100 x 100
- ▶ DC 12~28V Power Input
- ▶ Operating Temp -20~60 °C
- ▶ Optional Heatpipe -30~70 °C Solution

System

Processor	Intel® Gen., 12th Core i3-12100TE/ i5-12500TE by LGA1700, up to 35W
System Memory	2 x DDR4 SO-DIMM, up to 64GB
External I/O Port	2 x USB 3.2 Gen2 2 x 2.5 Gigabit LAN (Intel® I225M/I225V) 2 x DP 1.4a++ 1 x HDMI 2.0b 2 x Audio Jack (Mic-in & Line-out) 1 x 3-Pin Terminal Block for Power Input 1 x Power Button
Storage	1 x M.2 (Key M, 2242/2260/2280) with PCIe Gen3 x4 for SSD 2 x External 2.5" Storage Bay
Operating System	Windows 10 IoT Enterprise 2021 LTSC (64-bit, 21H2) Windows 11 (64-bit, Pre-test) Linux Yocto Project (64-bit, by request)
Expansion	1 x M.2 (Key E, 2230) with PCIe x1, USB 2.0 and CNVi for Wireless 1 x M.2 (Key B, 3042/3052) with PCIe x1, USB 3.2 Gen1, USB 2.0 and SIM for 4G/5G

LCD

Display Type	17" TFT LCD
Max. Resolution	1280*1024
Contrast Ratio	800 : 1
Max. Color	16.7M
Luminance	350 nits
View Angle	80/80/60/80

Power Requirement

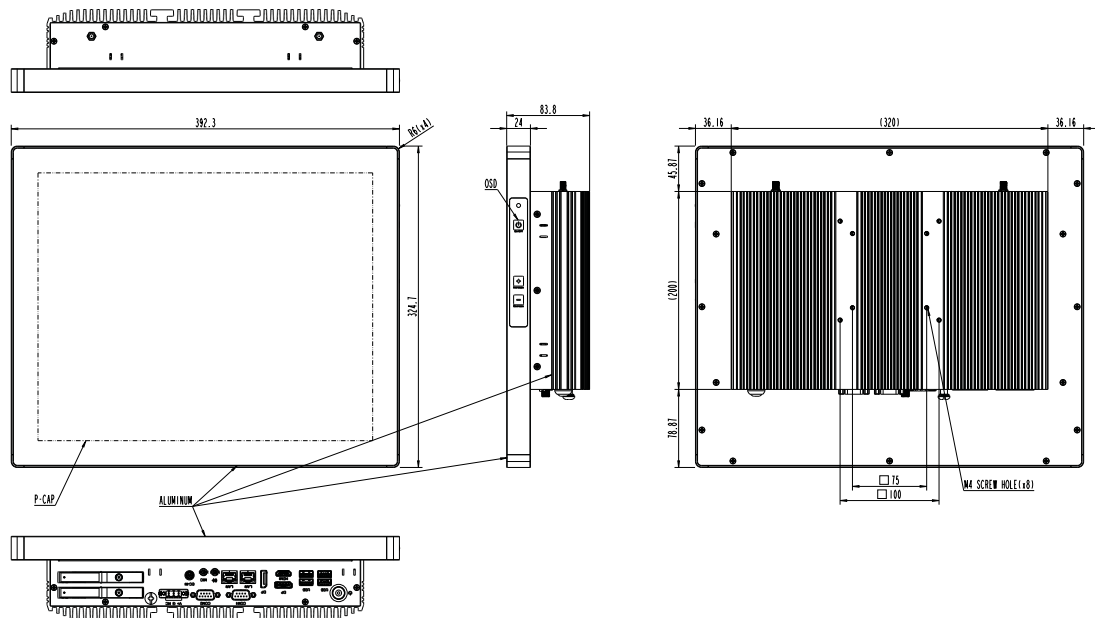
Power Input	DC 12~28V Power Input with DC 24V Power Adapter
-------------	---

Environment

Operating Temp	-20~60 °C · IEC-60068-2-1/2/14 (-30~70 °C by Heatpipe)
Storage Temp	-20~70 °C
Certification	FCC/CE ClassA
Humidity	10~90% @40 °C, non-condensing
EMC	FCC / CE Class A Certification
Vibration & Shock	1.5 Grms @10~500Hz, IEC-60068-2-64
Mounting	VESA Mount 75 x 75 / 100 x 100 by M4 Screw Hole Panel Mount

* All specifications are subject to change without prior notice.

Dimension & I/O Connector



Ordering Information

LPC-P170SAG-2A3MT	17" (1280*1024) Fanless P-cap Panel PC with Intel Core i3-12100TE, Dual 2.5" Tray, with DC 24V Power Adapter, -20~60°C
LPC-P170SAG-2A3MTH	17" (1280*1024) Fanless P-cap Panel PC with Intel Core i3-12100TE, Heatpipe, Dual 2.5" Tray, with DC 24V Power Adapter, -30~70°C
LPC-P170SAG-2A5MT	17" (1280*1024) Fanless P-cap Panel PC with Intel Core i5-12500TE, Dual 2.5" Tray, with DC 24V Power Adapter, -20~60°C
LPC-P170SAG-2A5MTH	17" (1280*1024) Fanless P-cap Panel PC with Intel Core i5-12500TE, Heatpipe, Dual 2.5" Tray, with DC 24V Power Adapter, -30~70°C
LPC-P170SAG-2A7MT	17" (1280*1024) Fanless P-cap Panel PC with Intel Core i7-12700TE, Dual 2.5" Tray, with DC 24V Power Adapter, -20~60°C
LPC-P170SAG-2A7MTH	17" (1280*1024) Fanless P-cap Panel PC with Intel Core i7-12700TE, Heatpipe, Dual 2.5" Tray, with DC 24V Power Adapter, -30~70°C

Ordering Code

LPC-P170SAG-2AxMT/H -H / -OB / -B / -AG / -AR / -V

H = High Brightness 1000 nits LED backlight

OB = Optical Bonding

B = Glass Without Touch

AG = Anti-Glare

AR = Anti-Reflection

V = Vandal Proof Glass (By Project)

* All specifications are subject to change without prior notice.