

Embedded System

BRIK Series



3V700D Back Panel



6 COM ver.(3I270A)



LCM ver. (3V700D / 3I270D)



2.5" HDD ver.



3.5" HDD ver.

Compact design for 3.5" SBC, excellent cooling function

Application :
Network device, VPN, Firewall

Technical Data :

. Dimension	52 H x 187 W x 130 D (2.5" HDD ver.)
. Dimension	73 H x 187 W x 130 D (3.5" HDD ver.)
. Dimension	80 H x 187 W x 130 D (6 COM ver.)
. Material	Aluminum
. Color	Blue & Silver
. VESA Mounting	75 x 75 mm
. Weight (Incl. M/B)	1.3 Kgs (2.5" HDD ver.)
	1.6 Kgs (3.5" HDD ver.)
	1.8 Kgs (6 COM ver.)
. Storage Space	2.5" HDD or 3.5" HDD
. Operation temperature	0 ~ 45 °C (with 2.5" HDD)
	0 ~ 55 °C (with CF Card)

Optional Accessory :

- . Wall mount kit

M/B Information: (Please refer to M/B specification)



M/B Model	Description
3V700A	1 LAN / VGA / USB
3V700D	3 LAN / VGA or COM
3I270A	Intel Atom N270, 1 LAN / VGA / COM
3I270D	Intel Atom N270, 4 LAN / VGA



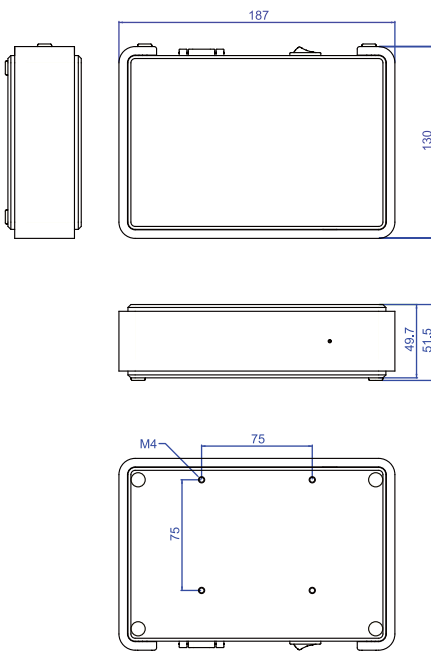
3V700A



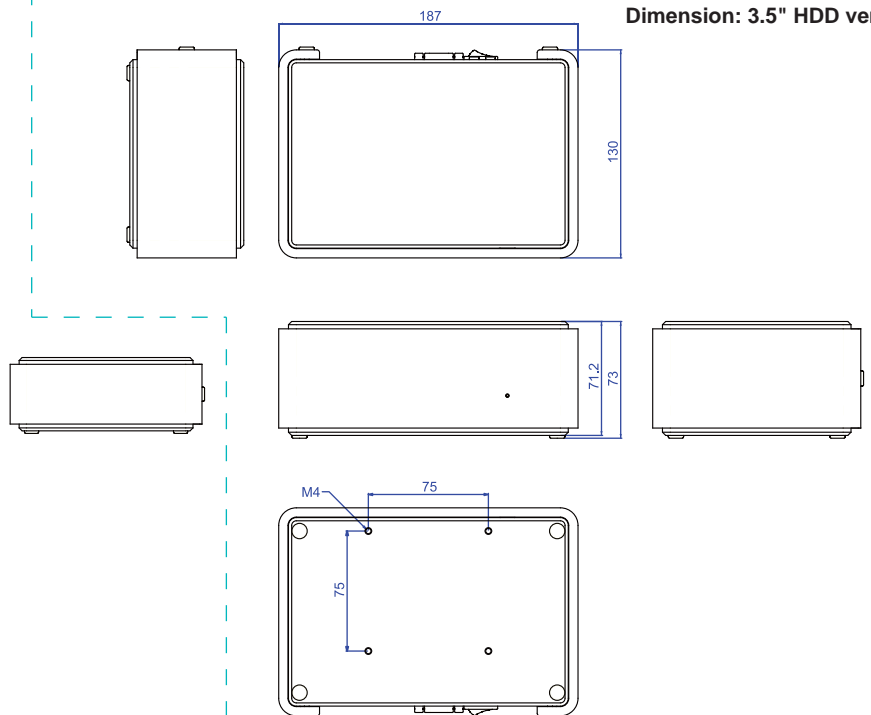
3V700D

BRIK Chassis without top-cover

Dimension: 2.5" HDD ver.



Dimension: 3.5" HDD ver.



Networking
POS / Automation
DVR
Multimedia
Embedded System