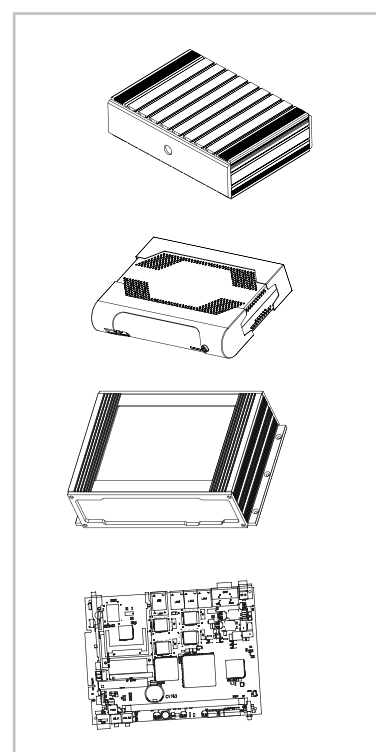


# embedded fanless system

<http://www.lex.com.tw> <http://www.ipc2u.de>



Page	Model / Content	Page	Model / Content
<b>1</b>	<b>Company profile</b>		
<b>2</b>	<b>Advantages</b>		
	<b>New Product</b>		
<b>3</b>	<b>System against Low Temperature</b>		
<b>4</b>	MI852AW		
<b>5</b>	CI852CW		
<b>6</b>	5I852CW / 5I853CW		
<b>7</b>	5V700C		
	<b>Networking application</b>		
<b>8</b>	CI852A		
<b>9</b>	CV700A / CV702A		
<b>10</b>	CV860A / CV862A		
<b>11</b>	CV763A / CV763B		
<b>12</b>	CV863A / CV863B		
	<b>POS application</b>		
<b>13</b>	CI852C		
<b>14</b>	CV700C		
<b>15</b>	CV860C		
<b>16</b>	CV766C		
<b>17</b>	CV866C		
<b>18</b>	LPX-8601		
<b>19</b>	LV866A		
<b>20</b>	LV866B		
	<b>DVR application</b>		
<b>21</b>	SI852A		
<b>22</b>	SV823A		
	<b>Multimedia application</b>		
<b>23</b>	FI852A		
<b>24</b>	MV700A		
<b>25</b>	MV823A		
<b>26</b>	MV823S		
	<b>Embedded System</b>		
<b>27</b>	Tino		
<b>28</b>	Twister		
<b>29</b>	NEO		
<b>30</b>	Light		
<b>31</b>	MINI		
<b>32</b>	BLPX		
<b>33</b>	<b>PCI card</b>		
<b>34</b>	<b>PCI 104</b>		
<b>36</b>	<b>1U 19" server</b>		
<b>38</b>	<b>Wall Mount System</b>		
<b>40</b>	<b>Panel PC</b>		
<b>42</b>	<b>Accessory</b>		
<b>44</b>	<b>Chassis Comparison</b>		
<b>45</b>	<b>Mainboard Comparison</b>		





## Company Overview

In 1990, the headquarters of Lex Computech was established in Taipei, Taiwan. We are a professional manufacturer in the field of embedded solution and provide service in several markets throughout the world with our various branch offices in China, Europe and USA. Lex has kept trying our utmost to innovate not only up-to-date but evolutionary products in the past 16 years. All Lex staff share a vision to deliver better solutions with satisfactory service to our customers. In order to meet the demands of the IPC and embedded markets and the needs of costumers, we have skilled R&D team and experienced salespersons who have been devoted themselves to provide the best products and services. We have established strong and constant relationship with our partners and customers on account of the advanced experience in the design and manufacture of embedded solutions.

We now specialize in the design and manufacture of motherboards, panel PCs, barebones, (IA) accessories and embedded systems, and our product portfolio is focused on embedded system which could be applied to the uses of Internet Appliance (IA), Digital Video Recorder (DVR), Network Application Storage (NAS), Network Application Devices (NAD), Kiosk, and Point of Sale (POS). Furthermore, we offer custom-built solutions for our OEM/ODM clients, which is also viewed as one of our significant characteristic. It is believed that the innovative cooperation with our partners is win-win situation and can always create surprising originality! Lex has a mission to produce state-of-the-art solutions to aid customers achieving their goals. We believe that our clients' success is our motive to keep making progress in our field.

# LEX Computech

## Compact

LEX Embedded System integrates all the functions in a motherboard that a user would ever need. At LEX, we produce “All-in-One” full functional products, combining, for instance, PCMCIA, multiple LAN ports, multiple serial ports, USB, video-in, and expansion slot all in single motherboards. LEX’s business model is to provide a total package, an all-in-one solution by providing chassis that satisfy the customers’ needs. By offering Security, Communication, Network, Industry control, and etc., LEX has the complete product lines that our customers will ever ask for.

## Easy Installation

Here at LEX, we provide products that can be easily installed right off the store shelf. Our engineers also place all the components in the motherboard to minimize the use of cable lines; in addition, LEX’s mechanical design facilitates the assembly of additional devices so the end users can enjoy the easy installed, hassle free products.

## Power Saving

LEX Embedded System adopts and uses VIA and Intel low power consumption CPU, which saves electricity for companies around the globe. While general CPU consumes 250~400 watt, the low power consumption CPU never exceeds a maximum of 60 watt, which saves almost 90% on the electricity bill.

## Fanless

LEX’s fanless system not only provides an excellent cooling effect, but also very cost-effective. There is no additional maintenance cost for the fans when broken down and there will be no damage from the system shut down when overheating cause by a failing fan.

## Flexibility

LEX COMPUTECH provides customize products that are not available in a lot of big companies. The best is, LEX accepts small-quantity orders and provides OEM/ODM services. At LEX, from sales to engineers, we help our customers to solve their problems during and after sales are made. In other words, our service is flexible! LEX also establishes local branches worldwide for contacting the customers directly and getting feedback first handedly. The wide selection of LEX products (including motherboard, case, panel pc, riser card etc.) really made the “one-stop shopping” a dream comes true! At LEX, we got all the products you need followed by the world-class quality customer service.





## System against low temperature



Offering systems for low temperature is not a new business in the market. However, it's still a headache for customers who aim to provide reliable, cost-effective solutions in harsh environments. LEX now offers a new design to ease your mind and get you more happy hours with your family after setting up system in the snow or under heat somewhere.

This unique design creates an adequate environment for all components under extreme temperature and prevents from moisture and dust at the same time. TINO for low temperature series is equipped with low power consumption embedded CPU & chipset, 2 LANs, 4 serial ports, WDT/DIO and Wide range DC-IN from 9V ~ 33V. It's ideal for solutions applied to outdoors, transportation and military. Same concept can be applied with different LEX mainboard for various applications and special requests. Customization is always possible. The charts on the right side show you the system temperature status when operating temperature is -40°C, 60°C (with CF card) and -20°C, 40°C (with 2.5" HDD) respectively.

### TINO-CI852CW-2RN10

#### Specifications

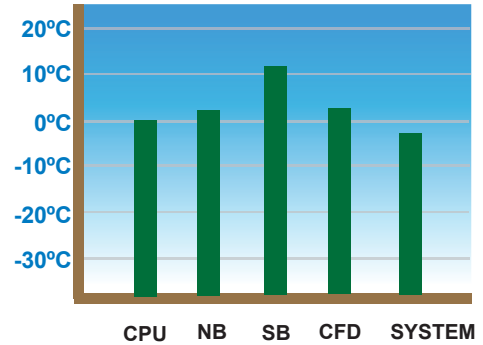
. CPU type	Intel Pentium M / Celeron M- Dothan processor
. Front Side Bus	400/533 MHz
. MB Chipset	Intel 82852GM/ 82852GME(Socket) + ICH4
. Graphics	Integrated with Intel 82852GM/GME Shared system memory up to 64MB
. Memory	1 x DDR SDRAM (max. 1GB)
. IDE	Ultra ATA 100/66/33, 1x 40 pin 2.54mm, 1x44 pin 2.0mm Support Compact Flash card type II for ATA interface
. Audio	AC-Link for Audio CODEC, AC'97 2.1 two channel sound
. LAN	2 x Realtek 10/100 Mbps (optional Realtek/Intel Gigabit)
. IO function	4 x RS232 or 3 x RS232 + 1 x RS232/422/485 Supports IrDA 1.0/ASKIR protocol Supports PS2 keyboard and mouse
. USB	6 x USB 2.0
. DIO & WDT	Hardware digital Input & Output, 8xDI / 8xDO Hardware Watch Dog Timer, 0~255 sec programmable
. Expand interface	1 x Mini PCI for only PCI rev: 2.2 interface 1 x PCI 104.
. Wide range DC-IN	DC input +9V~+33V or fix to +12V DC input. Convert into system power +12VAD to +5V/±5%, +3.3V/±5%, +12V/±5%

#### Technical Data :

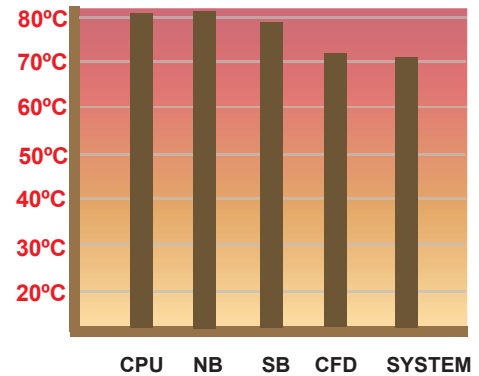
. Dimension	68 H x 245 W x 177 D mm
. Material	Aluminum
. Color	Black
. Weight	2.9 Kgs ( Incl. M/B )
. Storage Space	1 x 2.5" HDD +1 x PCI 104

#### When CF Card is applied...

##### Environment temperature -40° C

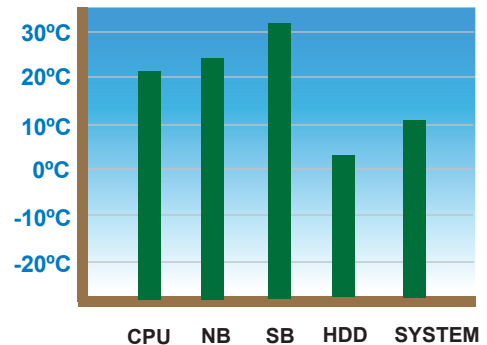


##### Environment temperature 60° C

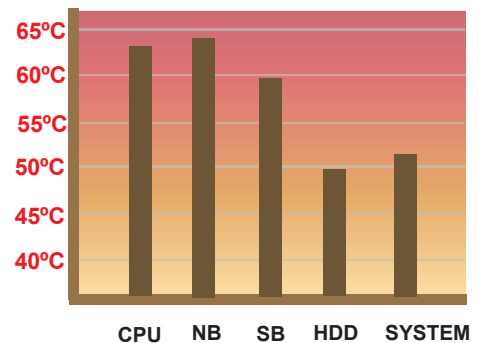


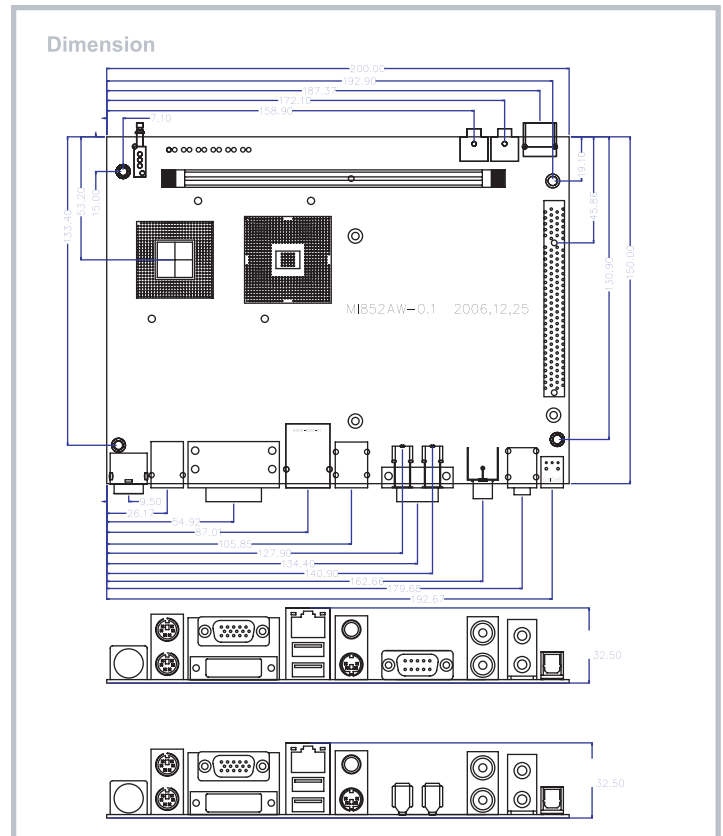
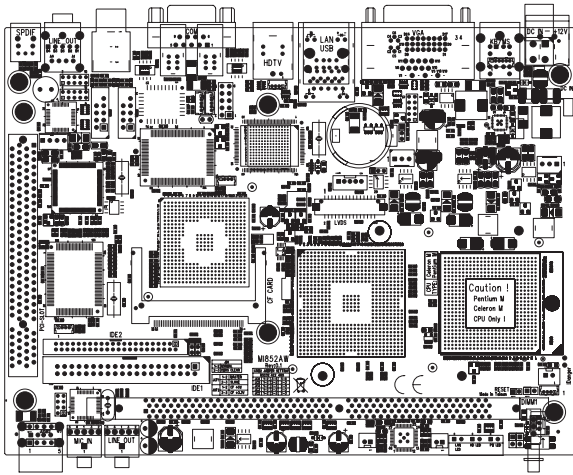
#### When 2.5" HDD is applied...

##### Environment temperature -20° C



##### Environment temperature 40° C





## MI852AW Series

**Application** Provide embedded, IA, VOD, Video Capture server, Home conference, Security, Home MIDI, ATM, Set Top Box, PVR application

**Features** Intel Pentium M/Celeron M solution  
Wide range DC-IN  
LVDS  
Touch screen controller on board  
TV-OUT / DVI  
IEEE1394  
Video-in  
WDT / DIO

### Specifications

- . CPU type Intel Pentium M/ Celeron M- Dothan processor
- . Front Side Bus 400/533 MHz
- . MB Chipset Intel 82852GM/ 82852GME(Socket) + ICH4
- . Graphics Integrated with Intel 82852GM/GME  
Shared system memory up to 64MB
- . LVDS Supports data format of 18 bits/36 bits
- . TV-OUT/DVI TV output supporting up to 1024 x 768 graphics resolutions  
10-bit video DAC outputs  
Support for all NTSC and PAL formats  
Provides S-video and 2pin Header for CVBS TV-out connector  
DVI-D single link Transmitter up to 165MHz  
DVI hot plug detection  
Digital Video Out Port DVO support 12bit interface , supporting up to UXGA
- . Memory 1 x DDR SDRAM (max. 1GB)
- . IDE Ultra ATA 100/66/33, 1 x 40 pin 2.54mm, 1 x 44 pin 2.0mm  
Support Compact Flash card type II for ATA interface
- . Audio AC-Link for Audio CODEC, AC'97 2.1  
Mic-in / Line-in /SPDIF OUT support
- . LAN 1 x Realtek 10/100 Mbps (optional Realtek/Intel Gigabit)
- . IO function 2 x 16C550 UARTs RS232,  
1 x RX/RTS/TX for RS232 signal level In/out  
Supports IrDA 1.0/ASKIR protocol  
Supports PS2 keyboard and mouse
- . USB 6 x USB 2.0
- . DIO & WDT (Option) Hardware digital Input & Output, 8xDI / 8xDO  
Hardware Watch Dog Timer, 0~255 sec programmable
- . Audio Amplifier (Option) 6-W/CH Into an 8-Ω Load from a 12-V Supply  
Up to 92% Efficient, Class-D operation  
Differential Input minimizes Common-Mode noise

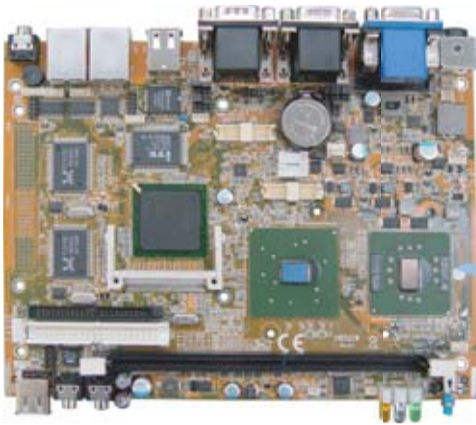
- . Video-In(Option) 1 port with Conexant Fusion 878A video codec
- . IEEE1394 (Option) Embedded 1394 link core  
OHCI Compliant programming interface  
32bit Power managed PCI bus interface  
Integrated 400Mbit 2 ports PHY
- . Touch Screen (Option) C8051F321USB interface Touch screen controller  
Supported 4-, 5-, 8- wire Analog Resistive touch screen.  
Resistor range from 200 to 1000 Ohm  
USB 1.1full speed sample rate (max. 300 point/s)
- . Expand interface 1 x Mini PCI for only PCI rev: 2.2 interface  
1 x PCI slot for PCI rev:2.2 interface
- . Power Wide range DC-IN from +9V to +33V or fix to +12V DC input  
Convert into system power +12VAD to +5V/±5% and +3.3V/±5% ,and +12V/±5% ,-12V/±5% for option spec
- . Dimension 200 x 150mm
- . Operation Temperature : 0 ~ 60°C
- . Operation Humidity : 5~95% @ 60°C, non-condensing

### Ordering Information

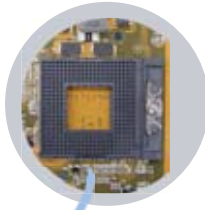
. MI852AW TBD

### Available Chassis

Light / Neo / Twister / Tino

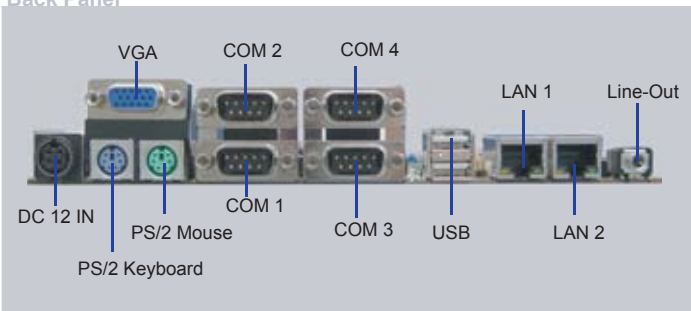


Socket Version



## C1852CW Series

### Back Panel

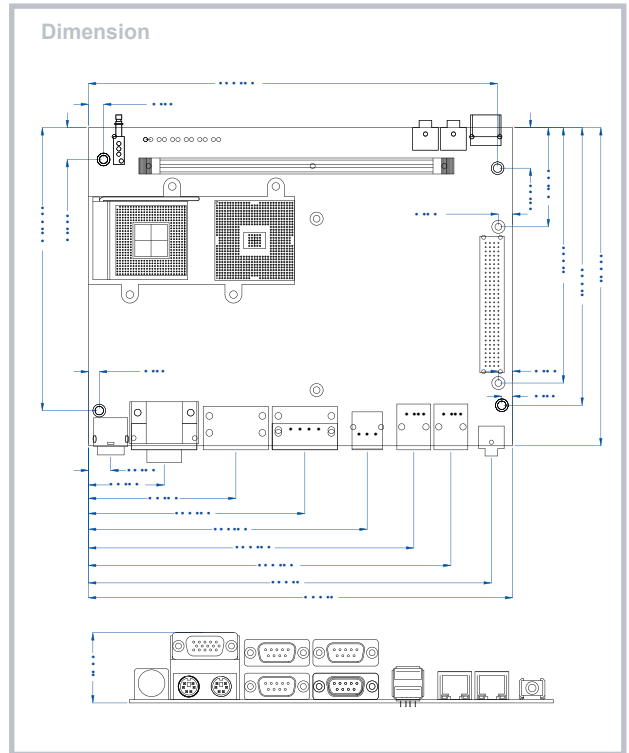


**Application** Embedded Car PC / POS / ATM / Kiosk / Panel PC solution

**Features**  
 Intel Pentium M/Celeron M solution  
 4 COM  
 PCI 104 / Mini PCI  
 LVDS  
 Touch screen controller on board  
 Wide range DC-IN  
 6W stereo audio amplifier

### Specifications

- . CPU type Intel Pentium M / Celeron M- Dothan processor
- . Front Side Bus 400/533 MHz
- . MB Chipset Intel 82852GM/ 82852GME(Socket) + ICH4
- . Graphics Integrated with Intel 82852GM/GME  
Shared system memory up to 64MB
- . LVDS1&2(TBD) Supports data format of 18 bits/36 bits (LVDS1)  
Support 24bit/48bit outputs (LVDS2)
- . Memory 1 x DDR SDRAM (max. 1GB)
- . IDE Ultra ATA 100/66/33, 1x 40 pin 2.54mm, 1x44 pin 2.0mm  
Support Compact Flash card type II for ATA interface
- . Audio AC-Link for Audio CODEC, AC'97 2.1 two channel sound
- . LAN 2 x Realtek 10/100 Mbps (optional Realtek/Intel Gigabit)
- . IO function 4 x RS232 or 3 x RS232 + 1x RS232/422/485  
Supports IrDA 1.0/ASKIR protocol  
Supports PS2 keyboard and mouse
- . USB 5 x USB 2.0
- . DIO & WDT Hardware digital Input & Output, 8xDI / 8xDO  
Hardware Watch Dog Timer, 0~255 sec programmable
- . Audio Amplifier (option) 6-W/CH Into an 8-Ω Load from a 12-V Supply  
Up to 92% Efficient, Class-D operation
- . Touch Screen (option) C8051F321USB interface Touch screen controller  
Supported 4-, 5-, 8- wire Analog Resistive touch screen.  
USB 1.1full speed sample rate of 300 point/s (max.)
- . Expand interface 1 x Mini PCI for only PCI rev: 2.2 interface  
1 x PCI 104
- . Power Wide range DC-IN DC input +9V~+33V or fix to +12V DC input.  
Convert into system power +12VAD to +5V/±5%, +3.3V/±5%, +1.2V/±5%
- . Dimension 200 x 150 mm
- . Operation Temperature : 0 ~ 60° C
- . Operation Humidity : 5~95% @ 60° C, non-condensing



### Testing environment

Model name : C1852CW-2RN10  
 CPU : Intel Celeron M 1GHz  
 Chipset : Intel 82852GM and Intel 82801DB ICH  
 OS : WIN XP  
 Testing Program 3D Mark 2001 SE

#### Fanless solution with CF card

Chassis	Light	Neo	Twister	Tino
Temperature				
0°C	Pass	Pass	Pass	Pass
40°C	Pass	Pass	Pass	Pass
45°C	Pass	Pass	Pass	Pass
60°C	Pass	Pass	Pass	Pass

#### Fanless solution with 2.5" HDD

Chassis	Light	Neo	Twister	Tino
Temperature				
0°C	Pass	Pass	Pass	Pass
40°C	Pass	Pass	Pass	Pass
45°C	Pass	Pass	Pass	Pass

Model name : C1852CW-2RNXX  
 CPU : Intel Pentium M 2.13GHz  
 Chipset : Intel 82852GME and Intel 82801DB ICH  
 OS : WIN XP  
 Testing Program 3D Mark 2001 SE

#### Fanless solution with CF card

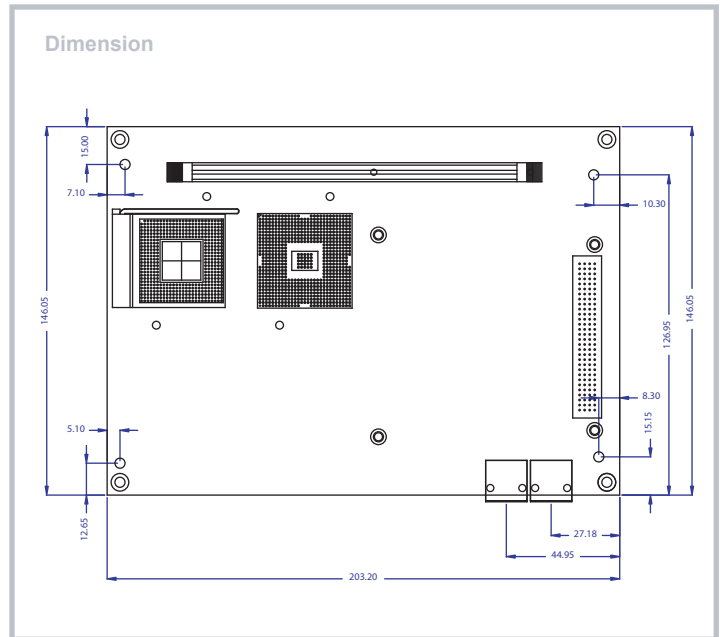
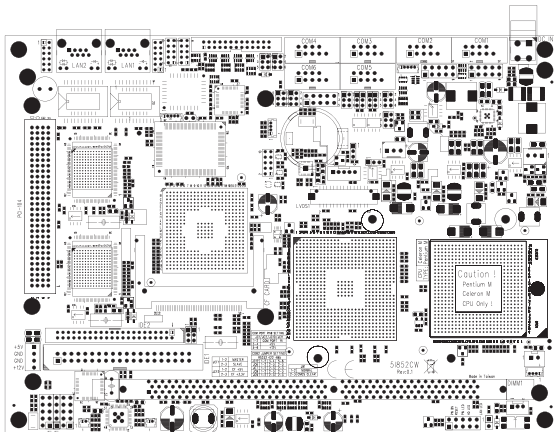
Chassis	Twister	Tino
Temperature		
0°C	Pass	Pass
40°C	Pass	Pass
45°C	Pass	Pass
60°C	Pass	Pass

#### Fanless solution with 2.5" HDD

Chassis	Twister	Tino
Temperature		
0°C	Pass	Pass
40°C	Pass	Pass

### Ordering Information

C1852CW-2RN10/2RNXX 2 LAN, Celeron M 1GHz/Socket 478



## 51852CW / 51853CW Series

**Application** Embedded Car PC / POS / ATM / Kiosk / Panel PC solution

**Features** Intel Pentium M/Celeron M solution  
 5.25" board size  
 All connectors to Pin Header  
 PCI 104 / Mini PCI / PCI (51853CW)  
 LVDS  
 Touch screen controller on board  
 LPT port  
 Wide range DC-IN  
 6W stereo audio amplifier

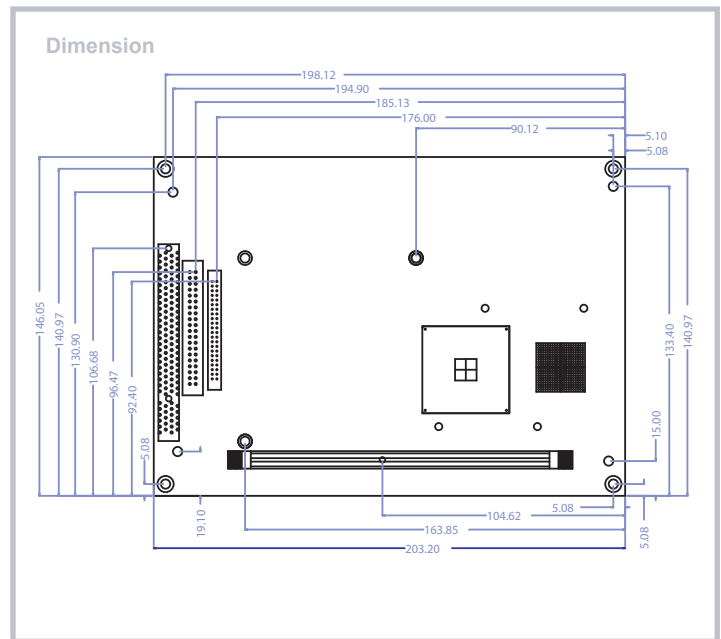
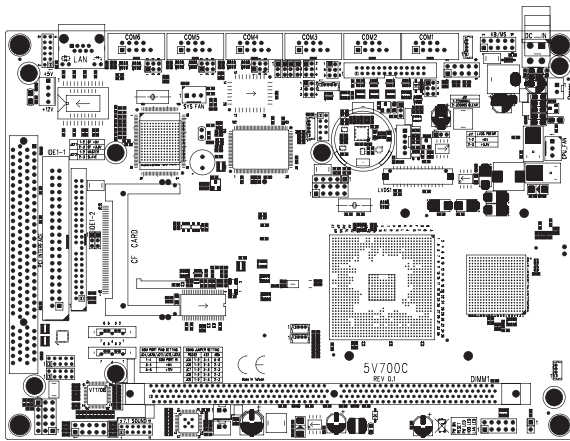
### Specifications

- . CPU type Intel Pentium M/ Celeron M- Dothan processor
- . Front Side Bus 400/533 MHz
- . MB Chipset Intel 82852GM/ 82852GME(Socket) + ICH4
- . Graphics Integrated with Intel 82852GM/GME  
 Shared system memory up to 64MB
- . LVDS Supports data format of 18 bits/36 bits
- . Memory 1 x DDR SDRAM (max. 1GB)
- . IDE Ultra ATA 100/66/33, 1 x 40 pin 2.54mm, 1 x 44 pin 2.0mm  
 Support Compact Flash card type II for ATA interface
- . Audio AC-Link for Audio CODEC, AC'97 2.1 two channel sound
- . LAN 2 x Realtek 10/100 Mbps (optional Realtek / Intel Gigabit)
- . IO function 4 or 6x RS232 or 3x RS232 + 1x RS232/422/485  
 Support IEEE 1284 Parallel port for SSP and EPP V1.7 and V1.9 and ECP mode  
 Supports IrDA 1.0/ASKIR protocol  
 Supports PS2 keyboard and mouse
- . USB 5 x USB 2.0
- . DIO & WDT Hardware digital Input & Output, 8xDI / 8xDO  
 Hardware Watch Dog Timer, 0~255 sec programmable
- . Audio Amplifier 6-W/CH Into an 8-Ω Load from a 12-V Supply  
 (Option) Up to 92% Efficient, Class-D operation
- . Touch Screen C8051F321USB interface Touch screen controller  
 (Option) Supported 4- , 5- , 8- wire Analog Resistive touch screen.  
 USB 1.1full speed sample rate of 300 point/s (max.)
- . Expand interface 1 x Mini PCI for only PCI rev: 2.2 interface  
 1 x PCI 104  
 1 x PCI slot for PCI rev. 2.2 interface (51853CW),  
 with RS003 riser card support to 2x PCI card
- . Power Wide range DC-IN DC input +9V~+33V or fix to +12V DC input.  
 Convert into system power +12VAD to +5V/±5%,  
 +3.3V/±5%, +12V/±5%
- . Dimension 203 x 146 mm (5 1/4 inch)

- . Operation Temperature : 0 ~ 60°C
- . Operation Humidity : 5~95% @ 60°C, non-condensing

### Ordering Information

- . 51852CW-2RN10/2RNXX 2 LAN, Celeron M 1GHz/Socket 478, PCI-104
- . 51853CW-2RN10/2RNXX 2 LAN, Celeron M 1GHz/Socket 478, PCI slot



## 5V700C Series

**Application** Embedded Car PC / POS / ATM / Kiosk / Panel PC solution

**Features**

- 5.25" board size
- All Pin Head connectors
- High definition Audio
- Touch screen controller on board
- 2 x SATA
- LPT port
- 6W stereo audio amplifier

### Specifications

- . CPU type VIA Eden(V4) or C7 Nano-BGA2 400pin L1 128KB, L2 128KB on die
- . Front Side Bus 400/533 MHz
- . MB Chipset VIA CX700M
- . Graphics Integrated with VIA CX700M  
Shared system memory up to 128MB  
MPEG-2/MPEG-4/WMV9 decoding mode
- . Memory 1 x DDRII SDRAM (max. 1GB)
- . CRT/HDTV Supports CRT resolution up to 1920 x 1440  
Support TV resolution up to 1920x1080i  
Integrated with HDTV encoder  
Compliant with NTSC (M and J) or PAL (B, D, G, H, I, M, N and Nc) TV
- . LVDS Support data format of 24/48 bits
- . IDE Ultra DMA-133/100/66 transfer protocols  
1 x 40 pin 2.54mm, 1 x 44 pin 2.0mm  
Support Compact Flash card type II for ATA interface
- . LAN 1 x Realtek 10/100 Mbps (optional Realtek/Intel Gigabit)
- . IO function 4~6 RS232 /3~5 RS232 & 1 RS232/422/485  
Support IEEE 1284 Parallel port for SSP and EPP V1.7 and V1.9 and ECP mode  
Support Infrared SIR and FIR
- . Audio VIA VT1708/A HD Audio codec; Two channel SOUND  
Intel High Definition Audio Specification Rev.1.0 Compliant  
Support SPDIF-Out
- . USB 5 x USB 2.0
- . SATA Supports up to Two channel SATA connectors  
Integrated SATA PHY supporting 1.5 Gbit/s and 3 Gbit/s transfer rate
- . DIO & WDT Hardware digital Input & Output, 8xDI / 8xDO  
Hardware Watch Dog Timer, 0~255 sec programmable

- . Touch Screen (Option) C8051F321USB interface Touch screen controller  
Supported 4-, 5-, 8- wire Analog Resistive touch screen.  
Resister range from 200 to 1000 Ohm  
USB 1.1full speed sample rate (max. 300 point/s)
- . Audio Amplifier (Option) 6-W/CH Into an 8-Ω Load from a 12-V Supply  
Up to 92% Efficient, Class-D operation  
Differential Input minimizes Common-Mode noise
- . Expand interface 1 x Mini PCI socket for only PCI rev 2.2 interface  
1 x PCI slot for PCI rev. 2.2 interface,  
with RS003 riser card support to 2x PCI card
- . Power From DC in Convert into system power +12VAD to +5V/±5% and +3.3V/±5%
- . Dimension 203 x 146mm (5 1/4 inch)
- . Operation Temperature : 0 ~ 60°C
- . Operation Humidity : 5~95% @ 60°C, non-condensing

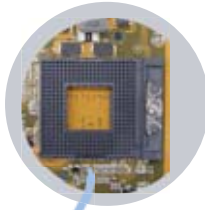
### Ordering Information

- . 5V700C-1R10C 1 LAN, 1GHz, VIA C7 processor



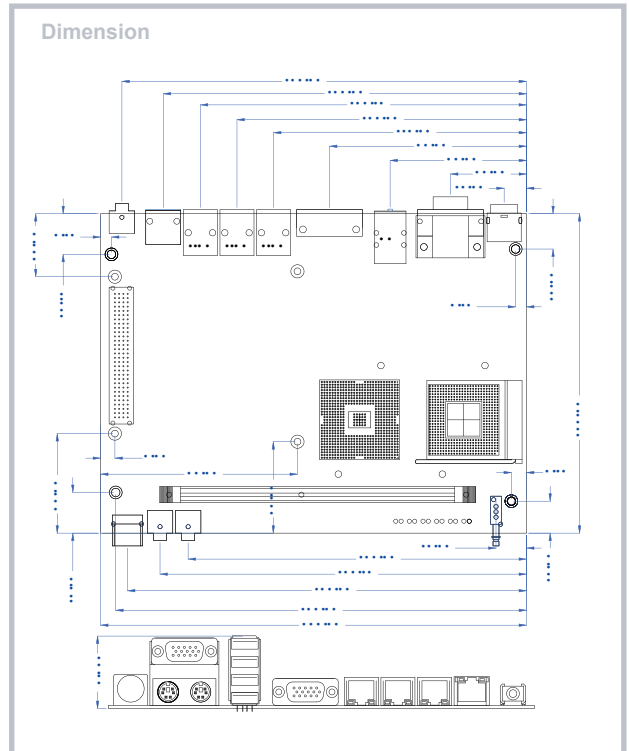
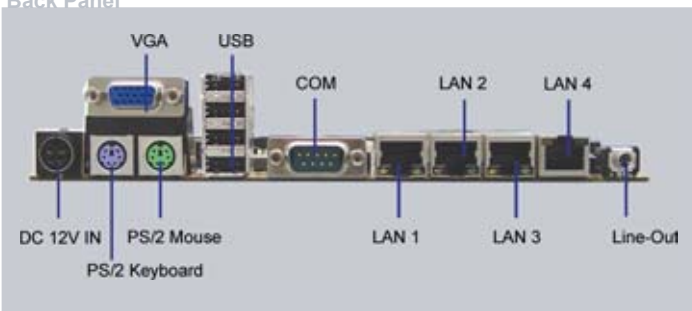


Socket Version



## CI852A Series

Back Panel



**Application** Network Appliances for Firewall, VPN, and Server

**Features** Intel Pentium M/Celeron M solution  
4 LAN  
PCI 104 / Mini PCI  
LVDS

### Specifications

- . CPU type Intel Pentium M/ Celeron M- Dothan processor
- . Front Side Bus 400/533 MHz
- . MB Chipset Intel 82852GM/ 82852GME + ICH4
- . Graphics Integrated with Intel 82852GM/GME  
Shared system memory up to 64MB
- . LVDS Supports data format of 18 bits/36 bits
- . Memory 1 x DDR SDRAM (max. 1GB)
- . IDE Ultra ATA 100/66/33, 1x 40 pin 2.54mm, 1x44 pin 2.0mm  
Support Compact Flash card type II for ATA interface
- . Audio AC-Link for Audio CODEC, AC'97 2.1
- . LAN 4 x Realtek 10/100 Mbps (optional Realtek/Intel Gigabit)
- . IO function 1 x RS232  
Supports IrDA 1.0/ASKIR protocol  
Supports PS2 keyboard and mouse
- . USB 6 x USB 2.0
- . DIO & WDT Hardware digital Input & Output, 4xDI / 4xDO  
(Option) Hardware Watch Dog Timer, 0~255 sec programmable
- . Expand interface 1 x Mini PCI for only PCI rev: 2.2 interface  
1 x PCI 104 (Option)
- . Power On board DC +12V convert to +3.3V/+12V/+5V for system
- . Dimension 200 x 150 mm
- . Operation Temperature : 0 ~ 60°C
- . Operation Humidity : 5~95% @ 60°C, non-condensing

### Ordering Information

- . CI852A-4RN10/4RNXX 4 LAN, Celeron-M 1GHz/ Socket 478
- . CI852A-4RP10/4RPXX 4 LAN, 1 PCI 104, Celeron-M 1GHz/ Socket 478

### Testing environment

Model name : CI852A-4RN10  
CPU : Intel Celeron M 1GHz  
Chipset : Intel 82852GM and Intel 82801DB ICH  
OS : WIN XP  
Testing Program 3D Mark 2001 SE

#### Fanless solution with CF card

Chassis	Light	Neo	Twister	Tino
Temperature				
0°C	Pass	Pass	Pass	Pass
40°C	Pass	Pass	Pass	Pass
45°C	Pass	Pass	Pass	Pass
60°C	Pass	Pass	Pass	Pass

#### Fanless solution with 2.5" HDD

Chassis	Light	Neo	Twister	Tino
Temperature				
0°C	Pass	Pass	Pass	Pass
40°C	Pass	Pass	Pass	Pass
45°C	Pass	Pass	Pass	Pass

Model name : CI852A-4RNXX  
CPU : Intel Pentium M 2.13GHz  
Chipset : Intel 82852GME and Intel 82801DB ICH  
OS : WIN XP  
Testing Program 3D Mark 2001 SE

#### Fanless solution with CF card

Chassis	Twister	Tino
Temperature		
0°C	Pass	Pass
40°C	Pass	Pass
45°C	Pass	Pass
60°C	Pass	Pass

#### Fanless solution with 2.5" HDD

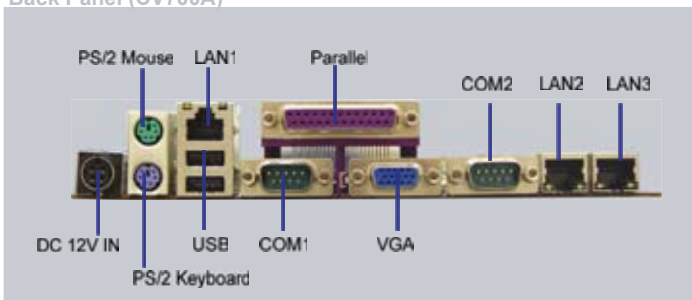
Chassis	Twister	Tino
Temperature		
0°C	Pass	Pass
40°C	Pass	Pass



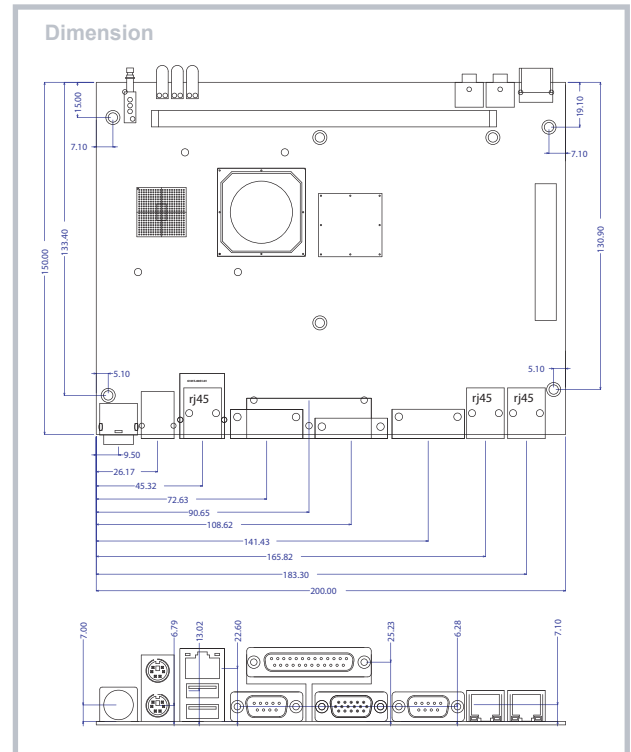
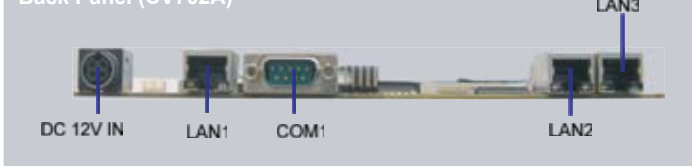


## CV700A / CV702A Series

### Back Panel (CV700A)



### Back Panel (CV702A)



**Application** Network Appliances for Firewall, VPN, Server and Access Controller for Wire/Wireless LAN.

**Features** VIA V4 bus processor Eden/C7  
On board 3 LAN  
SATA  
Mini PCI

### Specifications

- . CPU type VIA Eden(V4)/ C7 nano BGA2 400 pin, L1/L2 128K on die
- . Front Side Bus 400/533 MHz
- . MB Chipset VIA CN700 + VIA VT8237R Plus
- . Graphics Integrated with VIA CN700  
Shared system memory up to 64MB  
MPEG-2 hardware VLD  
Resolution up to 1600 x 1200
- . TV-Out (Option) NTSC(M, J) or PAL(B,D,G,H,I,M,N,Nc)
- . Memory 1 x DDR II SDRAM 533/400 (max. 1GB)
- . IDE Ultra DMA-133/100/66 transfer protocols  
1 x 40 pin 2.54mm, 1 x 44 pin 2.0mm  
Support Compact Flash card type II for ATA interface
- . Audio AC-Link for Audio CODEC, AC'97 2.1
- . LAN 3 x Realtek 10/100 Mbps (optional Realtek/Intel Gigabit)
- . IO function 2 x RS232  
Supports Hardware Monitor Controller  
Supports Infrared SIR and FIR  
Supports one printer port
- . USB 6 x USB 2.0
- . SATA One channel connector  
SATA drive transfer rate is capable of up to 150MB/s
- . Expand interface 1 x Mini PCI for only PCI rev: 2.2 interface
- . Power On board DC +12V convert to +3.3V/+12V/+5V for system
- . Dimension 200 x 150 mm

### Testing environment

Model name : CV700A3R10C  
CPU : VIA V4 C7 1000MHz  
Chipset : VIA CN700 & VIA VT8237R PLUS  
OS : WIN XP  
Testing Program : 3D Mark 2001 SE

#### Fanless solution with CF card

Chassis	Light	Neo	Twister
Temperature			
0°C	Pass	Pass	Pass
25°C	Pass	Pass	Pass
40°C	Pass	Pass	Pass
60°C	FAN	Pass	Pass

#### Fanless solution with 2.5" HDD

Chassis	Light	Neo	Twister
Temperature			
0°C	Pass	Pass	Pass
25°C	Pass	Pass	Pass
40°C	FAN	Pass	Pass
60°C	FAN	Pass	Pass

- . Operation Temperature : 0 ~ 60°C
- . Operation Humidity : 5~95% @ 60°C, non-condensing

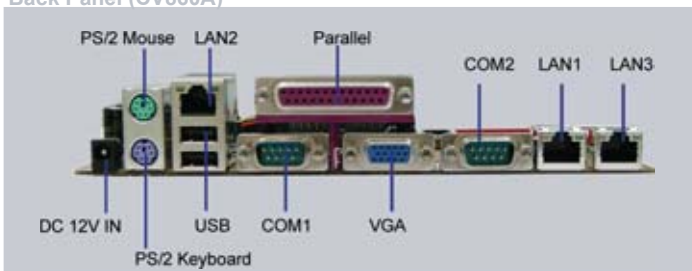
### Ordering Information

- . CV700A/702A-3R50E 3 LAN, 500MHz, VIA Eden(V4) processor
- . CV700A/702A-3R10C 3 LAN, 1GHz, VIA C7 processor

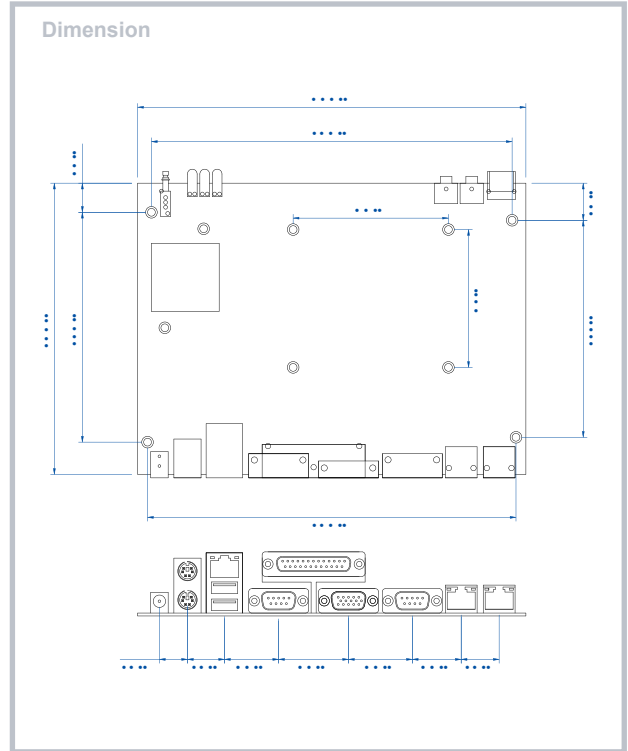
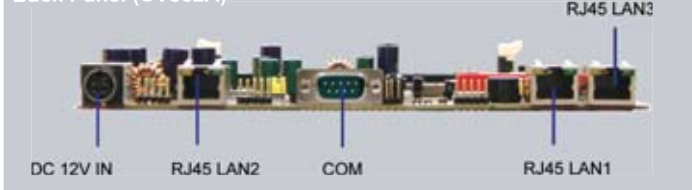


## CV860A / CV862A Series

Back Panel (CV860A)



Back Panel (CV862A)



- Application** Network Appliances for Firewall, VPN, Thin Client, Server and Access Controller for wire/wireless LAN.
- Features** VIA Eden/C3  
On board 1-3 LAN

**Specifications**

- . CPU type On-board VIA Eden / C3 376 PIN EPGA package
- . Front Side Bus 100/133 MHz
- . MB Chipset VIA PLE133 VT8601A + VT82C686B
- . Graphics Integrated with VT8601A  
Shared system memory up to 8MB
- . Memory 1 x SDRAM (max. 512MB)
- . Storage 1 x 40-pin IDE for DOM or 3.5" HDD  
1 x 44-pin IDE for DOM or 2.5" Slim HDD  
1 x DOC socket  
1 x 50-pin compact flash disk socket
- . Sound AC'97 2.1
- . LAN 3 x Realtek 10/100 Mbps
- . USB 4 x USB 1.1
- . Power On board DC +12V convert to +3.3V/+12V/+5V for system
- . Dimension 200 x 150 mm
- . Operation Temperature : 0 ~ 45°C
- . Operation Humidity : 5~95% @ 45°C, non-condensing

**Ordering Information**

- . CV860A-1R53/1R80/1R10N 1 LAN, Eden 533MHz/ C3 800MHz / 1Ghz
- . CV860A-3R53/3R80/3R10N 3 LAN, Eden 533MHz/ C3 800MHz / 1Ghz
- . CV862A-3R10L 3 LAN, C3 L.P. 1Ghz  
(By OEM request)

**Testing environment**

Model name : CV860A-3R10N  
CPU : VIA C3 1GHz  
Chipset : VIA PLE 133  
OS : WIN XP  
Testing Program 3D Mark 2001 SE

**Fanless solution with CF card**

Chassis	Light	Neo	Twister
Temperature			
0°C	Pass	Pass	Pass
40°C	Pass	Pass	Pass
45°C	Pass	Pass	Pass

**Temperature with 2.5" HDD**

Chassis	Light	Neo	Twister
Temperature			
0°C	Pass	Pass	Pass
40°C	FAN	Pass	Pass
45°C	FAN	FAN	Pass

Model name : CV862A  
CPU : VIA C3 1GHz  
Chipset : VIA PLE 133  
OS : WIN XP  
Testing Program 3D Mark 2001 SE

**Fanless solution with CF card**

Chassis	Light	Neo	Twister
Temperature			
0°C	Pass	Pass	Pass
40°C	Pass	Pass	Pass
45°C	Pass	Pass	Pass

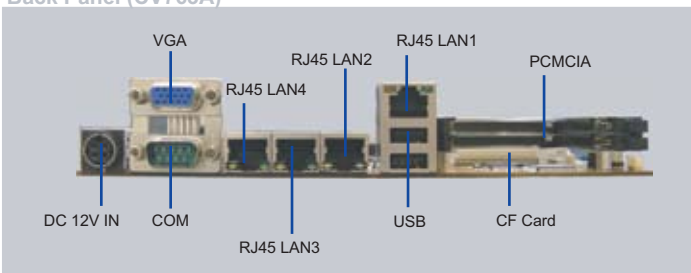
**Temperature with 2.5" HDD**

Chassis	Light	Neo	Twister
Temperature			
0°C	Pass	Pass	Pass
40°C	FAN	Pass	Pass
45°C	FAN	FAN	Pass

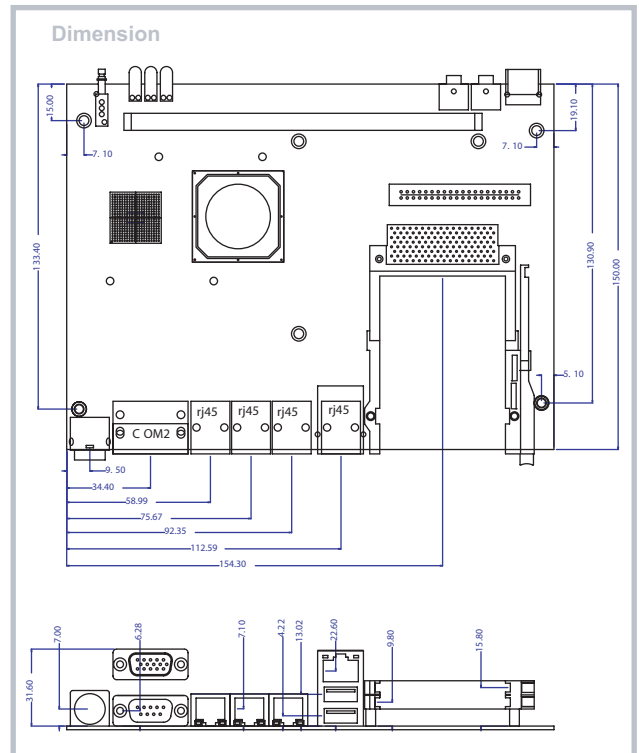
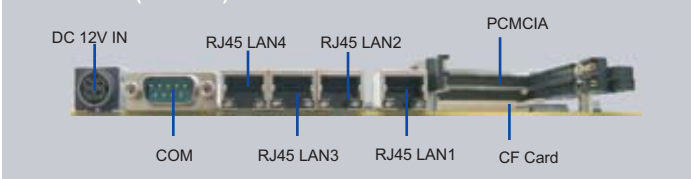


## CV763A / CV763B Series

### Back Panel (CV763A)



### Back Panel (CV763B)



**Application** Network Appliances for Firewall, VPN, and Server.

**Features**  
 VIA V4 bus processor Eden/C7  
 On board 4 LAN  
 2 PCMCIA  
 SATA

### Specifications

- . CPU type VIA Eden(V4)/ C7 nano BGA2 400 pin, L1/L2 128K on die
- . Front Side Bus 400/533 MHz
- . MB Chipset VIA CN700 + VIA VT8237R Plus
- . Graphics Integrated with VIA CN700  
 Shared system memory up to 64MB  
 MPEG-2 hardware VLD
- . TV-Out(Optional) NTSC(M, J) or PAL(B,D,G,H,I,M,N,Nc)
- . Memory 1 x DDR II SDRAM 533/400 (max. 1GB)
- . IDE Ultra DMA-133/100/66 transfer protocols  
 1 x 40 pin 2.54mm, 1 x 44 pin 2.0mm  
 Support Compact Flash card type II for ATA interface
- . Audio AC-Link for Audio CODEC, AC'97 2.1
- . LAN 4 x Realtek 10/100 Mbps (optional Realtek/Intel Gigabit)
- . IO function 1 x RS232  
 Supports IrDA 1.0/ASKIR protocol  
 Supports PS2 keyboard and mouse
- . USB 7 x USB 2.0.
- . PCMCIA Richo R5C812 PCMCIA chipset compliant PCI with ver.2.3  
 Supports 2x sockets, for Cardbus(Card 32) and 16-bit Card
- . SATA One channel connector  
 SATA drive transfer rate is capable of up to 150MB/s
- . DIO/WDT (Option) Hardware digital Input & Output, 4xDI / 4xDO  
 Hardware Watch Dog Timer, 0~255 sec programmable

### Testing environment

Model name : CV763A-4R10C  
 CPU : VIA V4 C7 1000MHz  
 Chipset : VIA CN700 & VIA VT8237R PLUS  
 OS : WIN XP  
 Testing Program : 3D Mark 2001 SE

#### Fanless solution with CF card

Chassis	Temperature		
	Light	Neo	Twister
0°C	Pass	Pass	Pass
25°C	Pass	Pass	Pass
40°C	Pass	Pass	Pass
60°C	FAN	Pass	Pass

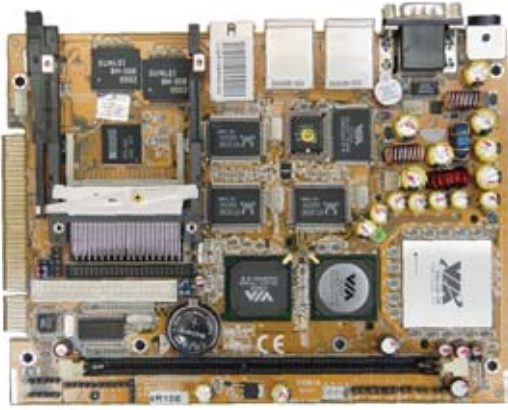
#### Fanless solution with 2.5" HDD

Chassis	Temperature		
	Light	Neo	Twister
0°C	Pass	Pass	Pass
25°C	Pass	Pass	Pass
40°C	FAN	Pass	Pass
60°C	FAN	Pass	Pass

- . Expand interface 1 x Mini PCI for only PCI rev: 2.2 interface  
 1 x PCI gold finger (share with Mini PCI)
- . Power On board DC +12V convert to +3.3V/+12V/+5V for system
- . Dimension 200 x 150 mm
- . Operation Temperature : 0 ~ 60°C
- . Operation Humidity : 5~95% @ 60°C, non-condensing

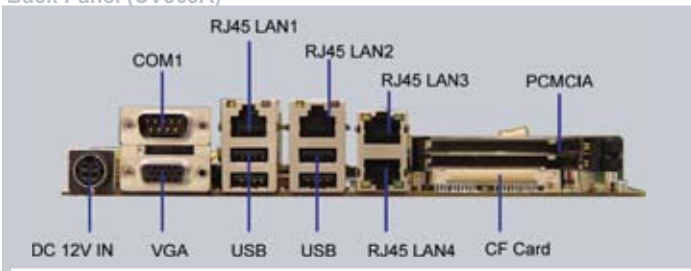
### Ordering Information

- . CV763A-4R10C 4 LAN, PCMCIA, 1Ghz, VIA C7 processor

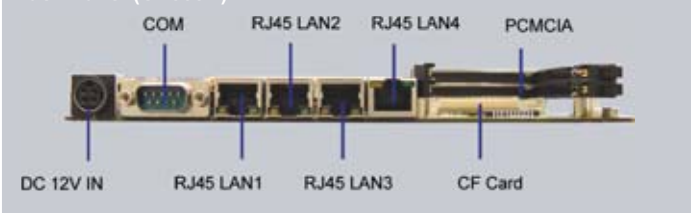


## CV863A / CV863B Series

Back Panel (CV863A)



Back Panel (CV863B)



**Application** Network Appliances for Firewall, VPN, Thin Client, and Server.  
**Features** VIA Eden/ C3 CPU  
 On board 4 LAN  
 2 x PCMCIA

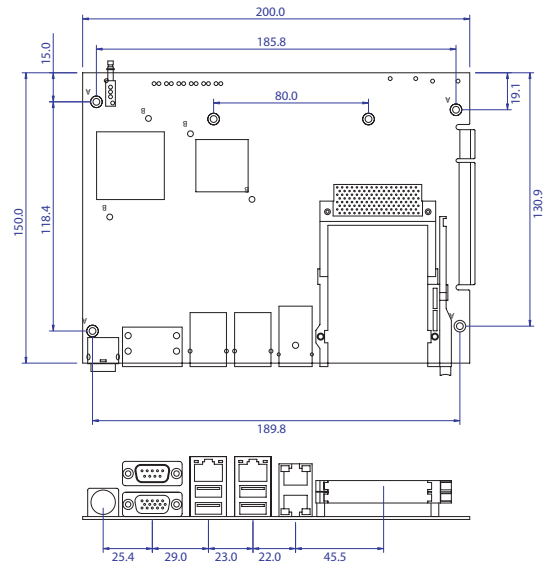
### Specifications

- . CPU type On-board VIA C3/ Eden 376 PIN EBGA package
- . Front Side Bus 100/133 MHz
- . MB Chipset VIA PLE266 VT8623A+ VT8235
- . Graphics Integrated with VT8623
- . Memory Shared system memory up to 64MB
- . IDE 1 x DDR SDRAM (max. 512MB)  
 Ultra DMA-133/100/66 transfer protocols  
 1 x 40 pin 2.54mm, 1 x44 pin 2.0mm  
 Support Compact Flash card type II for ATA interface
- . Sound AC'97 2.2, support 2 channel audio
- . LAN 4 x Realtek 10/100 Mbps
- . USB 5 x USB 1.1/2.0
- . I/O One 16C550 UARTs RS232 port support  
 Support infrared SIR and FIR
- . PCMCIA Richo R5C486 PCMCIA chipset compliant PCI with ver.2.2  
 Supports 2x sockets, for Cardbus(Card 32) and 16-bit Card
- . Expand Interface 1 x PCI gold finger, rev. 2.2 interface
- . Power On board DC +12V convert to +3.3V/+12V/+5V for system
- . Dimension 200 x 150 mm
- . Operation Temperature : 0 ~ 45°C
- . Operation Humidity : 5~95% @ 45°C, non-condensing

### Ordering Information

- . CV863A-4R10E 4 LAN, PCMCIA, Eden 1GHz

### Dimension



### Testing environment

Model name : CV863A-4R10E  
 CPU : VIA Eden 1GHz  
 Chipset : VIA CLE 266  
 OS : WIN XP  
 Testing Program 3D Mark 2001 SE

#### Fanless solution with CF card

Chassis	Light	Neo	Twister
Temperature			
0°C	Pass	Pass	Pass
40°C	Pass	Pass	Pass
45°C	Pass	Pass	Pass

#### Temperature with 2.5" HDD

Chassis	Light	Neo	Twister
Temperature			
0°C	Pass	Pass	Pass
40°C	FAN	Pass	Pass
45°C	FAN	FAN	Pass

#### Model name : CV863B-4R10E

CPU : VIA Eden 1GHz  
 Chipset : VIA CLE 266  
 OS : WIN XP  
 Testing Program 3D Mark 2001 SE

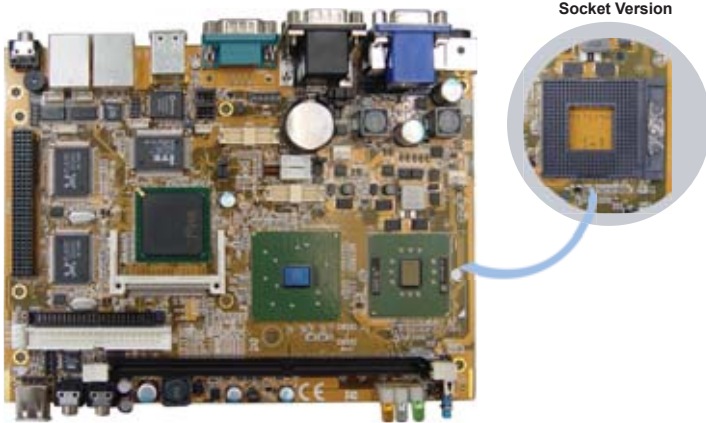
#### Fanless solution with CF card

Chassis	Light	Neo	Twister
Temperature			
0°C	Pass	Pass	Pass
40°C	Pass	Pass	Pass
45°C	Pass	Pass	Pass

#### Temperature with 2.5" HDD

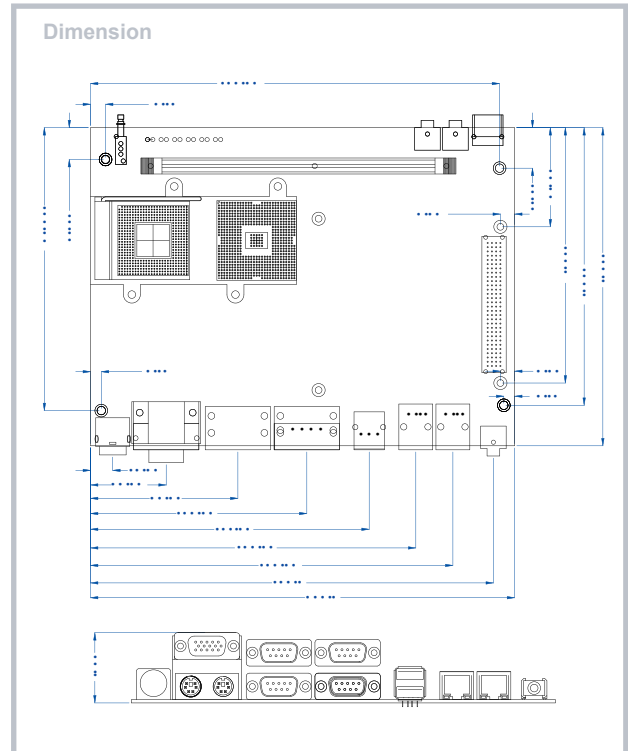
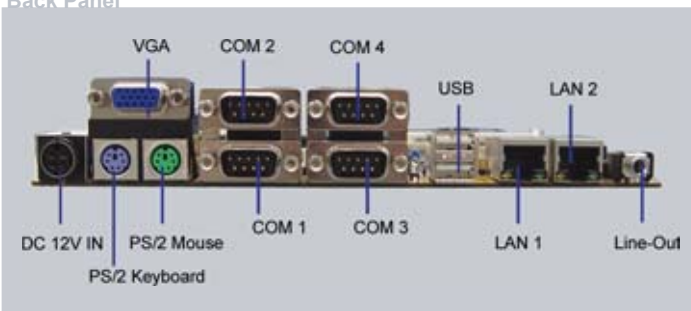
Chassis	Light	Neo	Twister
Temperature			
0°C	Pass	Pass	Pass
40°C	FAN	Pass	Pass
45°C	FAN	FAN	Pass





## CI852C Series

### Back Panel



**Application** POS/ KIOSK/ Industrial Control Solutions

**Features** Intel Pentium M/Celeron M solution  
4 COM  
PCI 104/ Mini PCI  
LVDS

### Specifications

- . CPU type Intel Pentium M/ Celeron M- Dothan processor
- . Front Side Bus 400/533 MHz
- . MB Chipset Intel 82852GM/ 82852GME + ICH4
- . Graphics Integrated with Intel 82852GM/GME  
Shared system memory up to 64MB
- . LVDS Supports data format of 18 bits/36 bits  
LVDS (Option) Supports data format of 24 bits/48 bits
- . Memory 1 x DDR SDRAM (max. 1GB)
- . IDE Ultra ATA 100/66/33, 1x 40 pin 2.54mm, 1x44 pin 2.0mm  
Support Compact Flash card type II for ATA interface
- . Audio AC-Link for Audio CODEC, AC'97 2.1
- . LAN 2 x Realtek 10/100 Mbps (optional Realtek/Intel Gigabit)
- . IO function 3 x RS232 + 1x RS232/422/485  
Supports IrDA 1.0/ASKIR protocol  
Supports PS2 keyboard and mouse
- . USB 6 x USB 2.0
- . DIO & WDT Hardware digital Input & Output, 8xDI / 8xDO  
Hardware Watch Dog Timer, 0~255 sec programmable
- . Expand interface 1 x Mini PCI for only PCI rev: 2.2 interface  
1 x PCI 104 (Option)
- . Power On board DC +12V convert to +3.3V/+12V/+5V for system
- . Dimension 200 x 150 mm
- . Operation Temperature : 0 ~ 60°C
- . Operation Humidity : 5~95% @ 60°C, non-condensing

### Ordering Information

- . CI852C-2RN10/2RNXX 2 LAN, Celeron-M 1GHz/ Socket 478
- . CI852C-2RP10/2RPXX 2 LAN, 1 PCI 104, Celeron-M 1GHz/Socket 478

### Testing environment

Model name : CI852C-2RN10  
CPU : Intel Celeron M 1GHz  
Chipset : Intel 82852GM and Intel 82801DB ICH  
OS : WIN XP  
Testing Program 3D Mark 2001 SE

#### Fanless solution with CF card

Chassis	Light	Neo	Twister	Tino
Temperature				
0°C	Pass	Pass	Pass	Pass
40°C	Pass	Pass	Pass	Pass
45°C	Pass	Pass	Pass	Pass
60°C	Pass	Pass	Pass	Pass

#### Fanless solution with 2.5" HDD

Chassis	Light	Neo	Twister	Tino
Temperature				
0°C	Pass	Pass	Pass	Pass
40°C	Pass	Pass	Pass	Pass
45°C	Pass	Pass	Pass	Pass

Model name : CI852C-2RNXX  
CPU : Intel Pentium M 2.13GHz  
Chipset : Intel 82852GME and Intel 82801DB ICH  
OS : WIN XP  
Testing Program 3D Mark 2001 SE

#### Fanless solution with CF card

Chassis	Twister	Tino
Temperature		
0°C	Pass	Pass
40°C	Pass	Pass
45°C	Pass	Pass
60°C	Pass	Pass

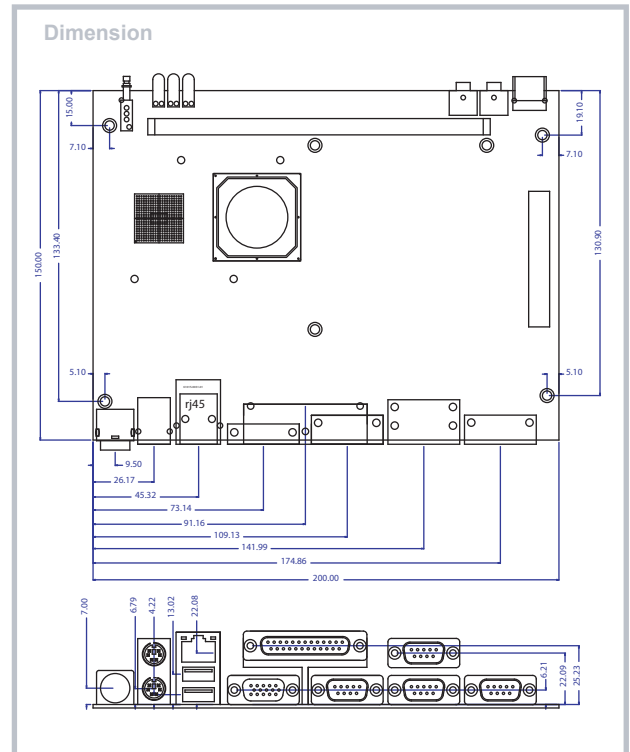
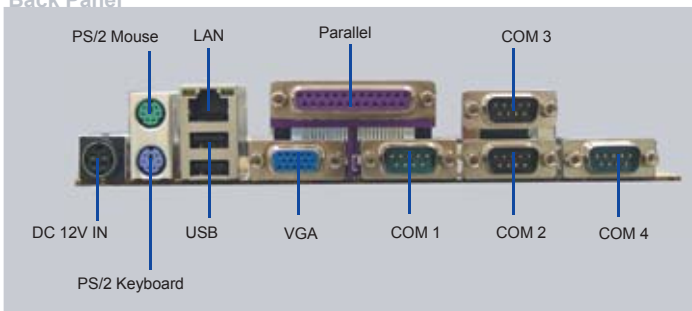
#### Fanless solution with 2.5" HDD

Chassis	Twister	Tino
Temperature		
0°C	Pass	Pass
40°C	Pass	Pass



## CV700C Series

### Back Panel



**Application** POS/ KIOSK/ Industrial Control Solutions

**Features** VIA V4 bus processor Eden / C7  
On board 4 COM  
SATA

### Specifications

- . CPU type VIA Eden(V4)/ C7 nano BGA2 400 pin, L1/L2 128K on die
- . Front Side Bus 400/533 MHz
- . MB Chipset VIA CN700 + VIA VT8237R Plus
- . Graphics Integrated with VIA CN700  
Shared system memory up to 64MB  
MPEG-2 hardware VLD
- . TV-OUT(Optional) NTSC(M, J) or PAL(B,D,G,H,I,M,N,Nc)
- . Memory 1 x DDR II SDRAM 533/400 (max. 1GB)
- . IDE Ultra DMA-133/100/66 transfer protocols  
1x 40 pin 2.54mm, 1x44 pin 2.0mm  
Support Compact Flash card type II for ATA interface
- . Audio AC-Link for Audio CODEC, AC'97 2.1
- . LAN 1 x Realtek 10/100 Mbps (optional Realtek/Intel Gigabit)
- . IO function 3 x RS232, 1xRS232/422/485  
Supports Hardware Monitor Controller  
Supports IrDA 1.0/ASKIR protocol  
Supports PS2 keyboard and mouse
- . USB 7 x USB 2.0
- . SATA One channel connector  
SATA drive transfer rate is capable up to 150MB/s
- . Expand interface 1x Mini PCI for only PCI rev: 2.2 interface
- . Power On board DC +12V convert to +3.3V/+12V/+5V for system
- . Dimension 200 x 150 mm

### Testing environment

Model name : **CV700C1R10C**  
CPU : VIA V4 C7 1000MHz  
Chipset : VIA CN700 & VIA VT8237R PLUS  
OS : WIN XP  
Testing Program : 3D Mark 2001 SE

#### Fanless solution with CF card

Chassis	Light	Neo	Twister
Temperature			
0°C	Pass	Pass	Pass
25°C	Pass	Pass	Pass
40°C	Pass	Pass	Pass
60°C	FAN	Pass	Pass

#### Fanless solution with 2.5" HDD

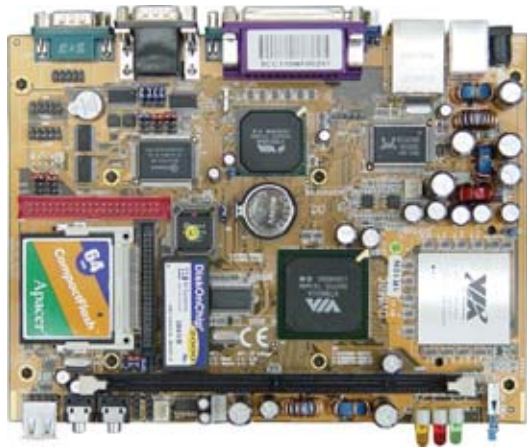
Chassis	Light	Neo	Twister
Temperature			
0°C	Pass	Pass	Pass
25°C	Pass	Pass	Pass
40°C	FAN	Pass	Pass
60°C	FAN	Pass	Pass

- . Operation Temperature : 0 ~ 60°C
- . Operation Humidity : 5~95% @ 60°C, non-condensing

### Ordering Information

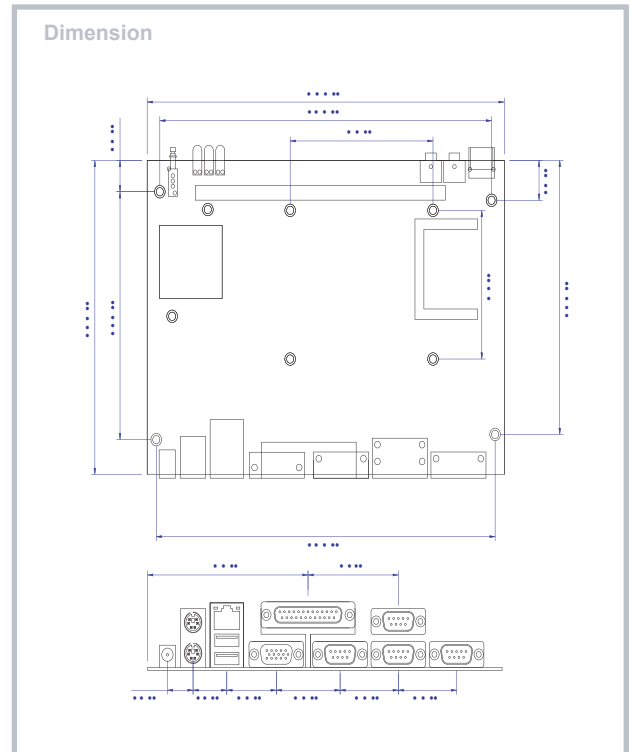
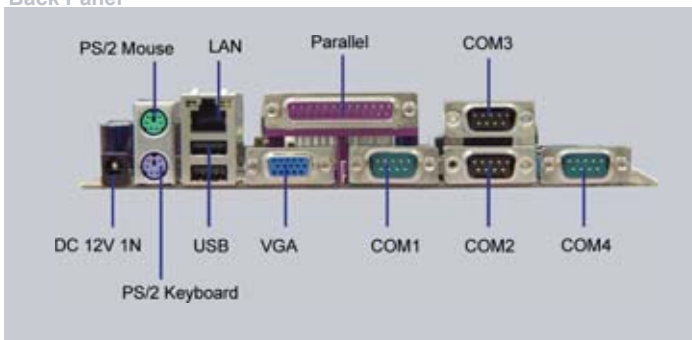
- . CV700C-1R50E 1 LAN, 500MHz, VIA Eden(V4) processor
- . CV700C-1R10C 1 LAN, 1GHz, VIA C7 processor





## CV860C Series

### Back Panel



**Application** POS/ KIOSK/ Industrial Control Solutions

**Features** VIA Eden / C3  
On board 4 COM  
CF / DOC Socket

### Specifications

- . CPU type On-board VIA Eden / C3 376 PIN EBGA package
- . Front Side Bus 100/133 MHz
- . MB Chipset VIA PLE133 VT8601A + VT82C686B
- . Graphics Integrated with VT8601A
- . Memory Shared system memory up to 8MB
- . Storage 1 x SDRAM (max. 512MB)
- . Storage 1 x 40-pin IDE for DOM or 3.5" HDD
- . Storage 1 x 44-pin IDE for DOM or 2.5" Slim HDD
- . Storage 1 x DOC socket
- . I/O 1 x 50-pin compact flash disk socket
- . I/O 3x RS232, 1xRS232/422/485
- . Sound AC'97 2.1
- . LAN 1 x Realtek 10/100 Mbps
- . USB 4 x USB 1.1
- . Power On board DC +12V convert to +3.3V/+12V/+5V for system
- . Dimension 200 x 150 mm
- . Operation Temperature : 0 ~ 45°C
- . Operation Humidity : 5~95% @ 45°C, non-condensing

### Ordering Information

- . CV860C-1R53/1R80/1R10N 1 LAN, 4xCOM, Eden 533Mhz/C3 800Mhz/C3 1Ghz

### Testing environment

Model name : **CV860C-1R10**  
CPU : VIA C3 1GHz  
Chipset : VIA PLE 133  
OS : WIN XP  
Testing Program 3D Mark 2001 SE

#### Fanless solution with CF card

Chassis	Light	Neo
Temperature		
0°C	Pass	Pass
40°C	Pass	Pass
45°C	Pass	Pass

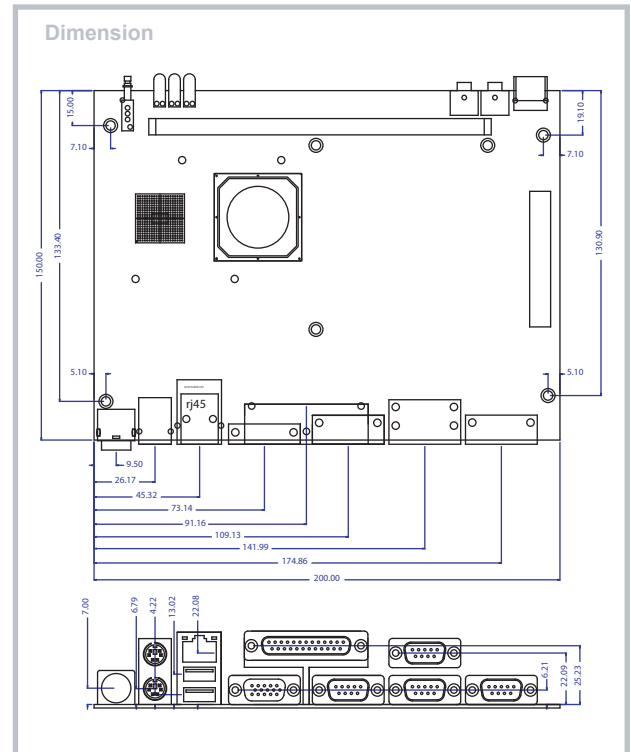
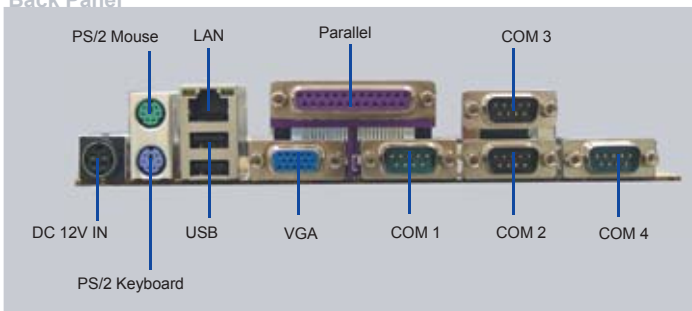
#### Temperature with 2.5" HDD

Chassis	Light	Neo
Temperature		
0°C	Pass	Pass
40°C	FAN	Pass
45°C	FAN	FAN



## CV766C Series

### Back Panel



- Application** POS / KIOSK / Industrial Control Solutions
- Features**
  - VIA V4 bus processor Eden / C7
  - On board 4~6 COM
  - Touch screen controller on board
  - WDT & 8 x DI/DO
  - LVDS
- Specifications**
  - . CPU type VIA Eden(V4)/ C7 nano BGA2 400 pin, L1/L2 128K on die
  - . Front Side Bus 400/533 MHz
  - . MB Chipset VIA CN700 + VIA VT8237R Plus
  - . Graphics Integrated with VIA CN700
    - Shared system memory up to 64MB
    - MPEG-2 hardware VLD
  - . LVDS Support data format of 24 bits/48 bits
  - . TV-OUT(Optional) NTSC(M, J) or PAL(B,D,G,H,I,M,N,Nc)
  - . Memory 1 x DDR II SDRAM 533/400 (max. 1GB)
  - . IDE Ultra DMA-133/100/66 transfer protocols
    - 1x 40 pin 2.54mm, 1x44 pin 2.0mm
    - Support Compact Flash card type II for ATA interface
  - . Audio AC-Link for Audio CODEC, AC'97 2.1
  - . LAN 1 x Realtek 10/100 Mbps (optional Realtek/Intel Gigabit)
  - . IO function 4~6x RS232, 1xRS232/422/485
    - Supports Hardware Monitor Controller
    - Supports IrDA 1.0/ASKIR protocol
    - Supports PS2 keyboard and mouse
  - . USB 7 x USB 2.0
  - . Touch Screen USB interface Touch screen controller
    - Supported 4-, 5-, 8- wire Analog Resistive touch screen.
    - Resistor range from 200 to 1000 Ohm
    - USB 1.1full speed sample rate (max. 300 point/s)
  - . SATA One channel connector
    - SATA drive transfer rate is capable up to 150MB/s
  - . DIO & WDT Hardware digital Input & Output, 8xDI / 8xDO
    - Hardware Watch Dog Timer, 0~255 sec programmable
  - . Expand interface 1x Mini PCI for only PCI rev: 2.2 interface
  - . Power On board DC +12V convert to +3.3V/+12V/+5V for system
  - . Dimension 200 x 150 mm

### Testing environment

Model name : CV766C1R10C  
 CPU : VIA V4 C7 1000MHz  
 Chipset : VIA CN700 & VIA VT8237R PLUS  
 OS : WIN XP  
 Testing Program : 3D Mark 2001 SE

#### Fanless solution with CF card

Chassis Temperature	Result
0°C	Pass
25°C	Pass
40°C	Pass
60°C	Pass

Fanless 8.4"/10.4" Panel PC

#### Fanless solution with 2.5" HDD

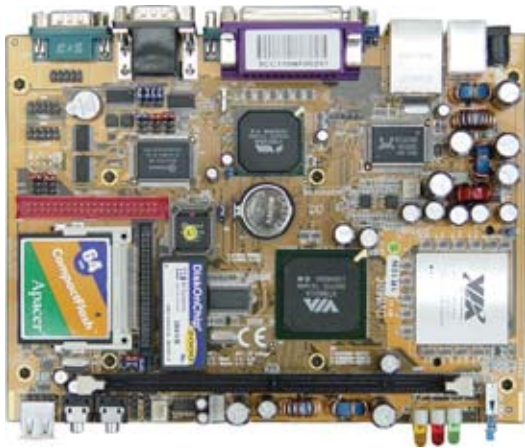
Chassis Temperature	Result
0°C	Pass
25°C	Pass
40°C	Pass
60°C	Pass

Fanless 8.4"/10.4" Panel PC

- . Operation Temperature : 0 ~ 60°C
- . Operation Humidity : 5~95% @ 60°C, non-condensing

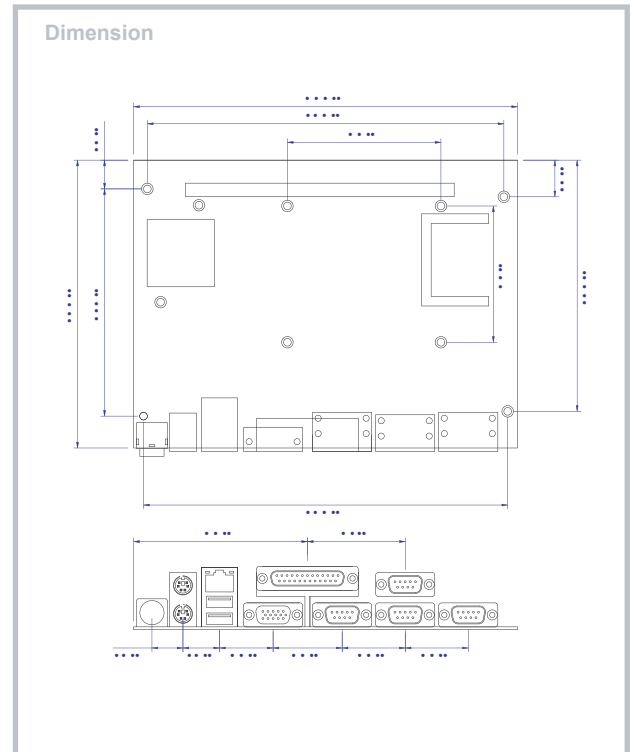
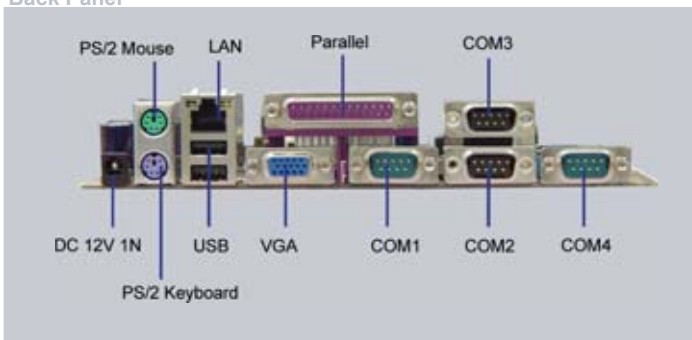
### Ordering Information

- . CV766C-1R10C 1 LAN, 1GHz, VIA C7 processor



## CV866C Series

### Back Panel



**Application** POS/ KIOSK/ Industrial Control Solutions

**Features** VIA Eden / C3 solution  
On board 4 COM  
LVDS  
CF / DOC Socket

### Specifications

- . CPU type On-board VIA Eden / C3 376 PIN EPGA package
- . Front Side Bus 100/133 MHz
- . MB Chipset VIA PN133T VT8606 + VT82C686B
- . Graphics Integrated with VT8606  
Shared system memory up to 32MB
- . LVDS Support 18 bit LVDS panel
- . Memory 1 x SDRAM (max. 512MB)
- . Storage 1 x 40-pin IDE for DOM  
1 x 44-pin IDE for DOM or 2.5" Slim HDD  
1 x DOC socket  
1 x 50-pin compact flash disk socket
- . I/O 3x RS232, 1xRS232/422/485
- . Sound AC'97 2.1
- . LAN 1 x Realtek 10/100 Mbps
- . USB 4 x USB 1.1
- . WDT Hardware Watch Dog Timer, 0~255 sec programmable
- . Power On board DC +12V convert to +3.3V/+12V/+5V for system
- . Precision Temperature 10~150°C
- . Operation Humidity : 5~95% @ 45°C, non-condensing

### Ordering Information

- . CV866C-1R10E 1 LAN, Eden 1GHz

### Testing environment

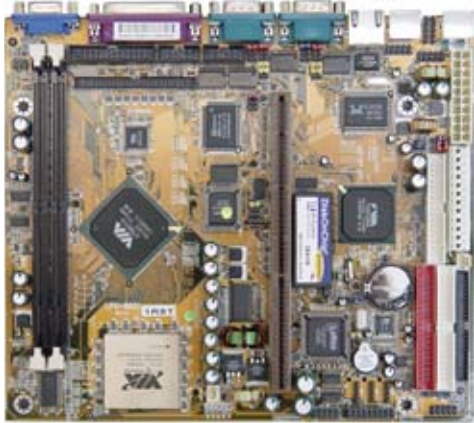
Model name : **CV866C-1R10**  
CPU : VIA Eden 1GHz  
Chipset : VIA PN133T  
OS : WIN XP  
Testing Program 3D Mark 2001 SE

#### Fanless solution with CF card

Chassis Temperature	Result
0°C	Pass
40°C	Pass
45°C	Pass

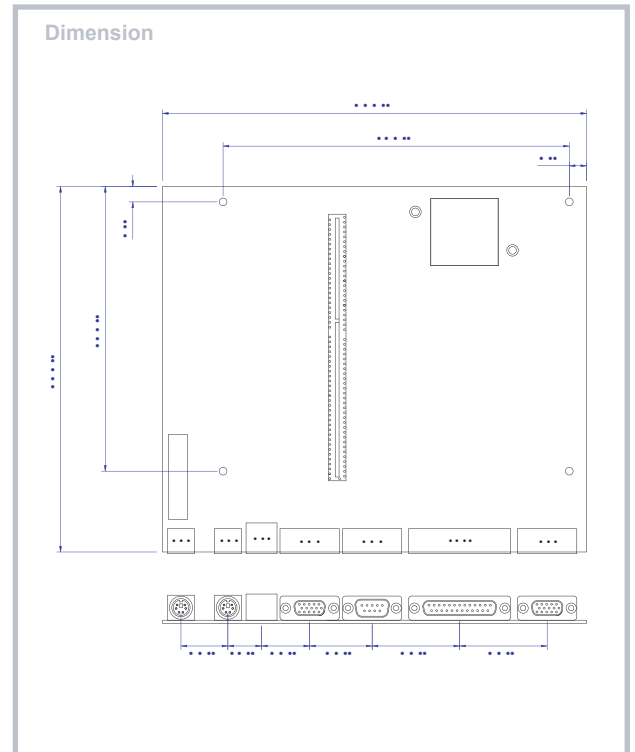
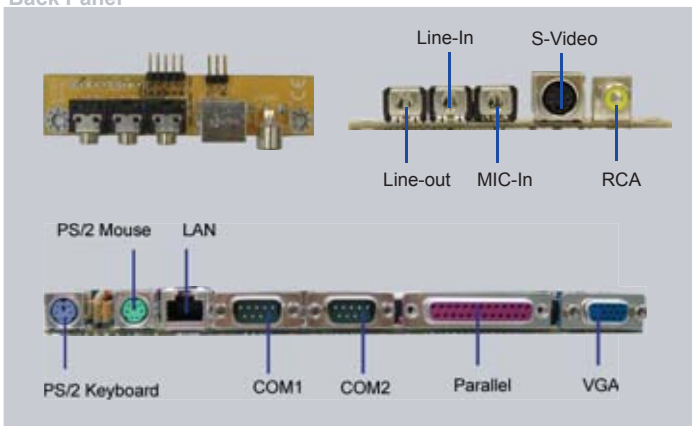
#### Temperature with 2.5" HDD

Chassis Temperature	Result
0°C	Pass
40°C	Pass
45°C	Pass



## LPX-8601 Series

### Back Panel



**Application** POS/ KIOSK/ Industrial Control Solutions

**Features** VIA Eden/ C3 solution  
On board 4 COM/2 parallel ports  
TV-OUT

### Specifications

- . CPU type On-board VIA Eden / C3 376 PIN EPGA package
- . Front Side Bus 100/133 MHz
- . MB Chipset VIA PLE133 VT8601A + VT82C686B
- . Graphics Integrated with VT8601A  
Shared system memory up to 8MB
- . Memory 2 x SDRAM (max. 1GB)
- . Storage Supports PIO mode to 4 and ATA 100/66/33 IDE device  
2 x 40 pin 2.54mm, 1 x 44 pin 2.0mm  
1 x floppy connector  
1 x DOC socket
- . I/O 3 x RS232, 1 x RS232/422/485  
2 x Parallel ports for ECP/EPP/SPP
- . TV-OUT NTSC(M, J) or PAL(B,D,G,H,I,M,N,Nc)
- . Sound AC'97 2.1
- . LAN 1 x Realtek 10/100 Mbps
- . USB 4 x USB 1.1
- . DIO & WDT Hardware digital Input & Output, 4xDI / 4xDO  
Hardware Watch Dog Timer, 0~255 sec programmable
- . Expand interface 1x PISA slot for PCI-2.1 and ISA slot
- . Power ATX power/AT power
- . Dimension Mini LPX 220 x 190 mm
- . Operation Temperature : 0 ~ 45°C
- . Operation Humidity : 5~95% @ 45°C, non-condensing

### Ordering Information

- . LPX8601-1R5T 1 LAN, VIA Eden 533 MHz, TV-Out

### Testing environment

Model name : LPX-8601-1R5T  
CPU : VIA Eden 533MHz  
Chipset : VIA PLE133  
OS : WIN XP  
Testing Program 3D Mark 2001 SE

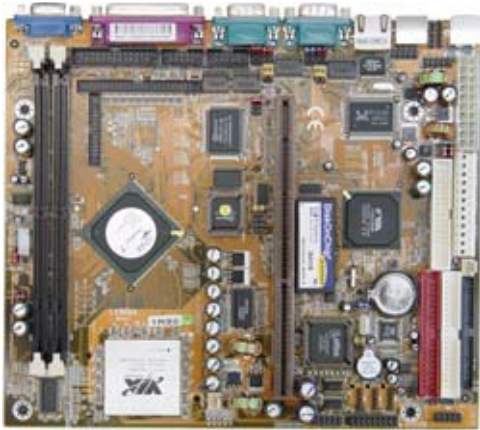
#### Temperature with CF card

Chassis Temperature	BLPX
0°C	FAN
40°C	FAN
45°C	FAN

#### Temperature with 3.5" HDD

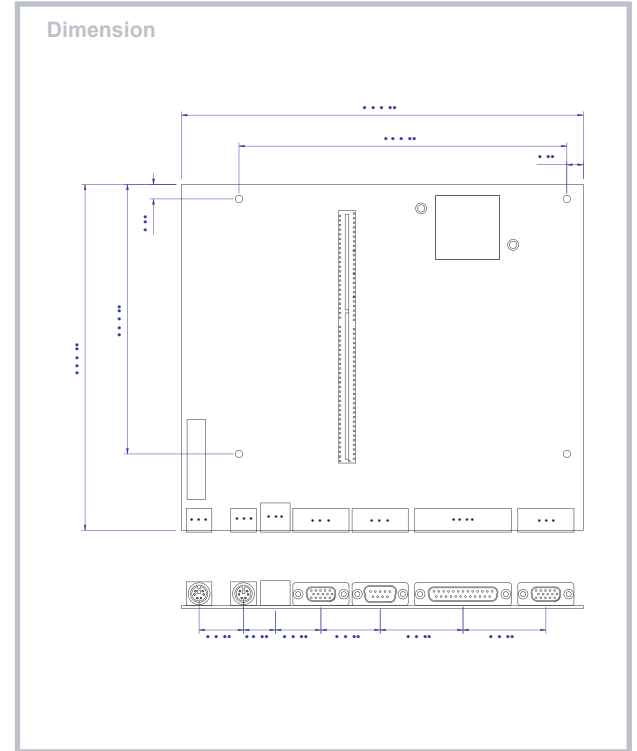
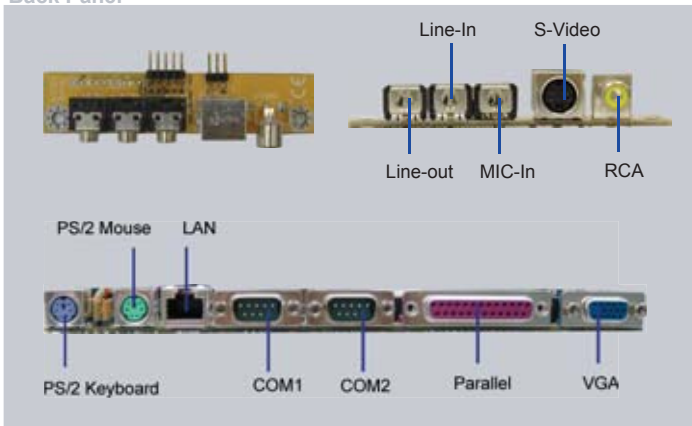
Chassis Temperature	BLPX
0°C	FAN
40°C	FAN
45°C	FAN





## LV866A Series

### Back Panel



**Application** POS/ KIOSK/ Industrial Control Solutions

**Features** VIA Eden/ C3 solution  
On board 4 COM / 2 parallel ports  
LVDS  
CF / DOC Socket

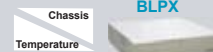
### Specifications

- . CPU type On-board VIA Eden / C3 376 PIN EPGA package
- . Front Side Bus 100/133 MHz
- . MB Chipset VIA PN133T VT8606 + VT82C686B
- . Graphics Integrated with VT8606  
Shared system memory up to 32MB
- . Memory 2 x SDRAM (max. 1GB)
- . Storage Supports PIO mode to 4 and ATA 100/66/33 IDE device  
2 x 40 pin 2.54mm, 1 x 44 pin 2.0mm  
1 x floppy connector  
1 x DOC socket
- . I/O 3 x RS232, 1 x RS232/422/485  
2 x Parallel ports for ECP/EPP/SPP
- . Sound AC'97 2.1
- . LVDS Support LVDS 18 bits/36 bits panel type
- . DFP Support TTL 36bits panel interface
- . LAN 1 x Realtek 10/100 Mbps
- . USB 4 x USB 1.1
- . DIO & WDT Hardware digital Input & Output, 4xDI / 4xDO  
Hardware Watch Dog Timer, 0~255 sec programmable
- . Expand interface 1x PISA slot for PCI-2.1 and ISA slot
- . Power ATX power/AT power
- . Dimension Mini LPX 220 x 190 mm
- . Operation Temperature : 0 ~ 45°C
- . Operation Humidity : 5~95% @ 45°C, non-condensing

### Testing environment

Model name : LV866A-1R80  
CPU : VIA C3 800MHz  
Chipset : VIA PN133T Twister  
OS : WIN XP  
Testing Program 3D Mark 2001 SE

#### Temperature with CF card



0°C FAN  
40°C FAN  
45°C FAN

#### Temperature with 3.5" HDD



0°C FAN  
40°C FAN  
45°C FAN

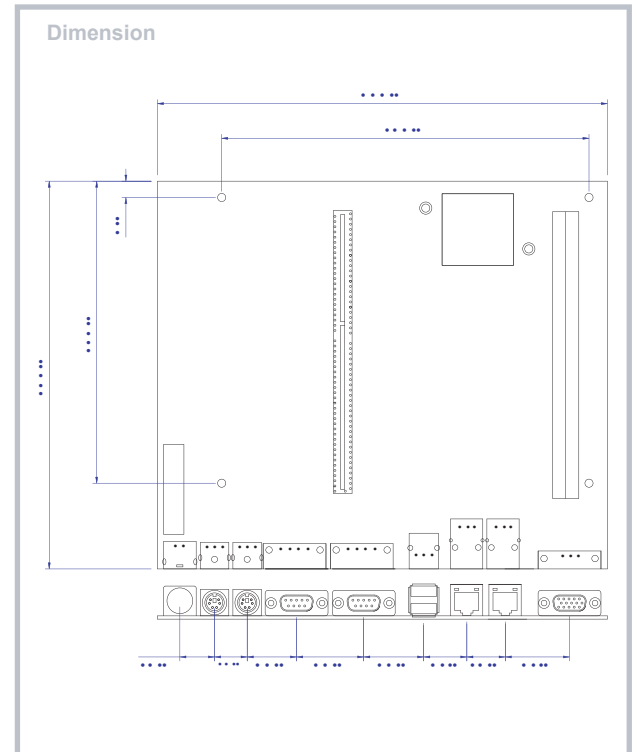
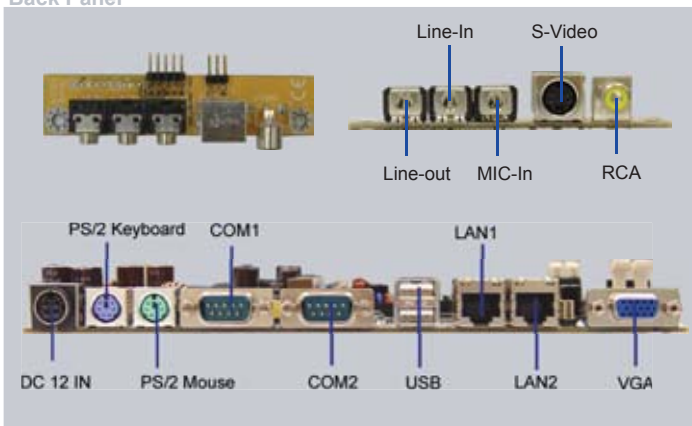
### Ordering Information

. LV866A-1R80 1 LAN, VIA C3 800 MHz



## LV866B Series

### Back Panel



- Application** POS/ KIOSK/ Industrial Control Solutions
- Features**
  - VIA Eden/ C3 solution
  - On board 4 COM / 1 parallel port
  - LVDS
  - TV-OUT

### Specifications

- . CPU type On-board VIA Eden / C3 376 PIN EPGA package
- . Front Side Bus 100/133 MHz
- . MB Chipset VIA PN133T VT8606 + VT82C686B
- . Graphics Integrated with VT8606  
Shared system memory up to 32MB
- . Memory 2 x SDRAM (max. 1GB)
- . Storage Supports PIO mode to 4 and ATA 100/66/33 IDE device  
2 x 40 pin 2.54mm, 1 x 44 pin 2.0mm  
1 x floppy connector / 1 x slim type floppy connector  
1 x DOC socket
- . I/O 1 x CF card type I/type II  
3 x RS232, 1 x RS232/422/485  
2 x Parallel ports for ECP/EPP/SPP
- . Sound AC'97 2.1
- . LVDS Support LCD panel TTL TFT 36bits interface  
Simultaneous display CRT with LCD panel
- . TV-Out NTSC(M, J) or PAL(B,D,G,H,I,M,N,Nc)
- . LAN 2 x Realtek 10/100 Mbps
- . USB 4 x USB 1.1
- . DIO & WDT Hardware digital Input & Output, 4xDI / 4xDO  
Hardware Watch Dog Timer, 0~255 sec programmable
- . Expand interface 1x PISA slot for PCI-2.1 and ISA slot
- . Power On board DC +12V convert to +3.3V/+12V/+5V for system
- . Dimension Mini LPX 220 x 190 mm
- . Operation Temperature : 0 ~ 45°C
- . Operation Humidity : 5~95% @ 45°C, non-condensing

### Testing environment

Model name : LV866B-2R10E  
 CPU : VIA Eden 1GHz  
 Chipset : VIA PN133T Twister  
 OS : WIN XP  
 Testing Program 3D Mark 2001 SE

#### Temperature with CF card



0°C	FAN	FAN
40°C	FAN	FAN
45°C	FAN	FAN

12.1"/15.1"  
Panel PC

#### Temperature with 3.5" HDD



0°C	FAN	FAN
40°C	FAN	FAN
45°C	FAN	FAN

12.1"/15.1"  
Panel PC

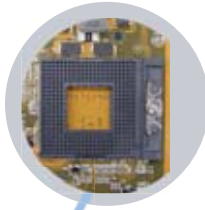
### Ordering Information

- . LV866B-2R73T 2 LAN, VIA Eden 733Mhz
- . LV866B-2R10E 2 LAN, VIA Eden 1 GHz



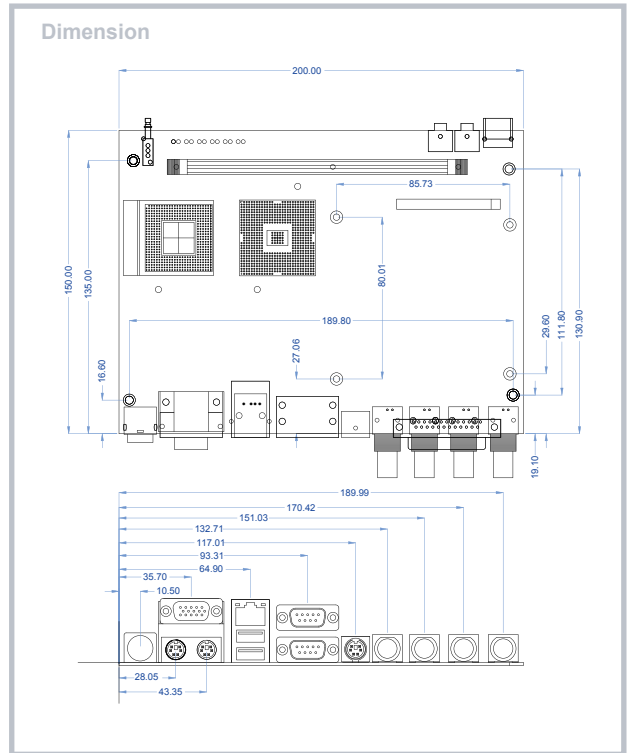
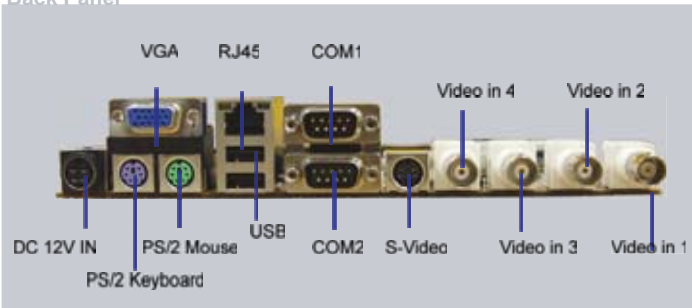


Socket Version



## SI852A Series

### Back Panel



- Application** Video Surveillance for building monitoring, Access control & mobile PC.
- Features** Intel Pentium M/Celeron M solution  
4~16 channels video-in  
Twin View  
LVDS

### Specifications

- . CPU type Intel Pentium M/ Celeron M- Dothan processor
- . Front Side Bus 400/533 MHz
- . MB Chipset Intel 82852GM/ 82852GME(Socket) + ICH4
- . Graphics Integrated with Intel 82852GM/GME  
Shared system memory up to 64MB
- . LVDS Supports data format of 18 bits/36 bits
- . Memory 1 x DDR SDRAM (max. 1GB)
- . IDE Ultra ATA 100/66/33, 1x 40 pin 2.54mm, 1x44 pin 2.0mm  
Support Compact Flash card type II for ATA interface
- . Audio AC-Link for Audio CODEC, AC'97 2.1
- . TV-Out Analog S-Video for SDTV, for all NTSC & PAL
- . LAN 1 x Realtek 10/100 Mbps (optional Realtek/Intel Gigabit)
- . IO function 1x RS232, 1x RS232/422/485  
Supports IrDA 1.0/ASKIR protocol  
Supports PS2 keyboard and mouse
- . Video-In 4~16 ports with Conexant Fusion 878A video codec
- . USB 6 x USB 2.0
- . DIO & WDT Hardware digital Input & Output, 8xDI / 8xDO  
Hardware Watch Dog Timer, 0~255 sec programmable
- . Expand interface 1 x Mini PCI
- . Power On board DC +12V convert to +3.3V/+12V/+5V for system
- . Dimension 200 x 150 mm
- . Operation Temperature : 0 ~ 60°C
- . Operation Humidity : 5~95% @ 60°C, non-condensing

### Ordering Information

- . SI852A-4SR10 1 chip (Conexant BT878A) with 4 video-in channels
- . SI852A-4UR10/4URXX (socket) 4 chip (Conexant BT878A) with 4 video-in channels
- . SI852A-4HR10/4HRXX (socket) 4 chip (Conexant BT878A) with 16 video-in channels

### Testing environment

Model name : **SI852A-4UR10**  
 CPU : Intel Celeron M 1GHz  
 Chipset : Intel 82852GM and Intel 82801DB ICH  
 OS : WIN XP  
 Testing Program 3D Mark 2001 SE

#### Fanless solution with CF card

Chassis	Light	Neo	Twister	Tino
Temperature				
0°C	Pass	Pass	Pass	Pass
40°C	Pass	Pass	Pass	Pass
45°C	Pass	Pass	Pass	Pass
60°C	Pass	Pass	Pass	Pass

#### Fanless solution with 2.5" HDD

Chassis	Light	Neo	Twister	Tino
Temperature				
0°C	Pass	Pass	Pass	Pass
40°C	Pass	Pass	Pass	Pass
45°C	Pass	Pass	Pass	Pass

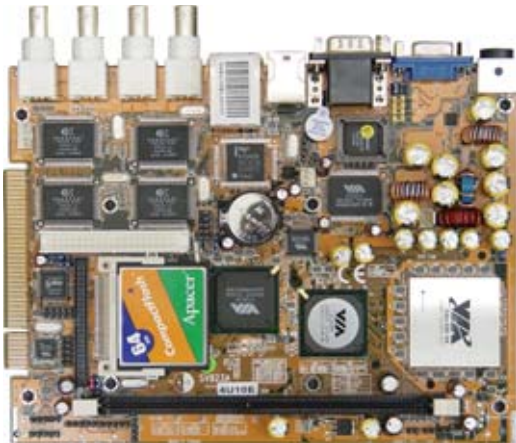
Model name : **SI852A-4URXX**  
 CPU : Intel Pentium M 2.13GHz  
 Chipset : Intel 82852GME and Intel 82801DB ICH  
 OS : WIN XP  
 Testing Program 3D Mark 2001 SE

#### Fanless solution with CF card

Chassis	Twister	Tino
Temperature		
0°C	Pass	Pass
40°C	Pass	Pass
45°C	Pass	Pass
60°C	Pass	Pass

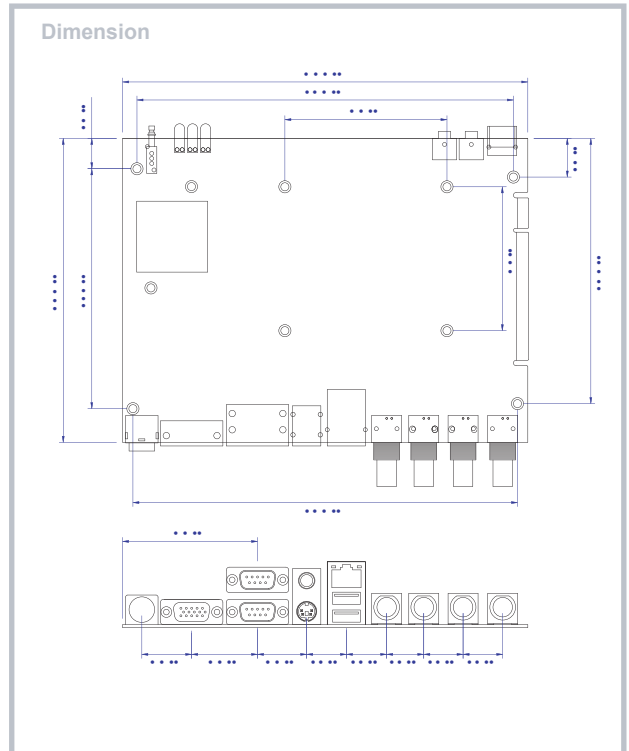
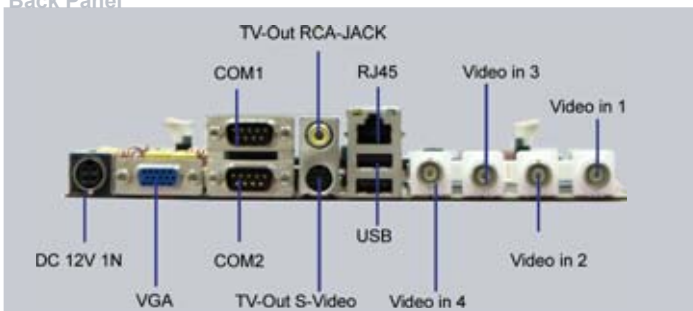
#### Fanless solution with 2.5" HDD

Chassis	Twister	Tino
Temperature		
0°C	Pass	Pass
40°C	Pass	Pass



### SV823A Series

#### Back Panel



- Application** Video Surveillance for building monitoring, Access control & mobile PC.
- Features** VIA Eden/C3 solution  
4~16 ports Video-in  
TV-OUT

#### Specifications

- . CPU type On-board VIA C3/ Eden 376 PIN EBGA package
- . Front Side Bus 100/133 MHz
- . MB Chipset VIA CLE266 VT8623 + VT8235
- . Graphics Integrated with VT8623  
Shared system memory up to 64MB
- . Memory 1 x DDR SDRAM (max. 512MB)
- . IDE Ultra DMA-133/100/66 transfer protocols  
1x 40 pin 2.54mm, 1x44 pin 2.0mm  
Support Compact Flash card type II for ATA interface
- . Sound AC'97 2.1
- . Video-in 4~16 ports with Conexant BT878A chipset
- . TV-Out NTSC(M, J) or PAL(B,D,G,H,I,M,N,Nc)
- . LAN 1 x Realtek 10/100 Mbps (SV823A-4S10E)  
1 x Intel Gigabit (SV823A-4U/4H)
- . IO function 1 x RS232, 1x RS232/422/485  
Support Infrared SIR and FIR
- . USB 4 x USB 2.0
- . DIO & WDT Hardware digital Input & Output, 4xDI / 4xDO  
Hardware Watch Dog Timer, 0~255 sec programmable
- . Expand interface 1 x PCI gold finger, rev.2.2 interface
- . Power On board DC +12V convert to +3.3V/+12V/+5V for system
- . Dimension 200 x 150 mm<sup>o</sup>
- . Operation Temperature : 0 ~ 45 C<sup>o</sup>
- . Operation Humidity : 5~95% @ 45 C, non-condensing

#### Ordering Information

- . SV823A-4S10E 1 chip (Conexant BT878A) with 4 video-in channels, 1Ghz
- . SV823A-4U10E 4 chip (Conexant BT878A) with 4 video-in channels, 1Ghz
- . SV823A-4H10E 4 chip (Conexant BT878A) with 16 video-in channels, 1Ghz

#### Testing environment

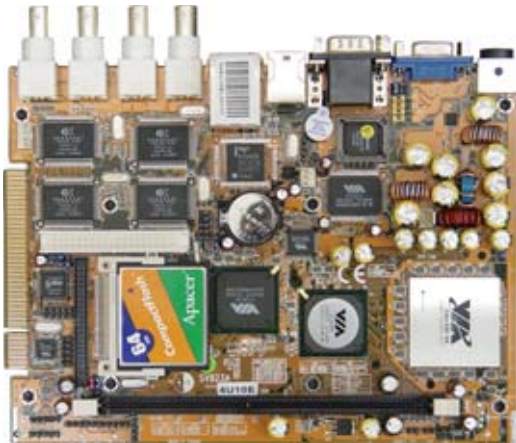
Model name : **SV823A-4U10E**  
 CPU : VIA Eden 1GHz  
 Chipset : VIA CLE266  
 OS : WIN XP  
 Testing Program 3D Mark 2001 SE

#### Temperature with CF card

Chassis	Light	Neo	Twister	Mini
Temperature				
0°C	Pass	Pass	Pass	FAN
40°C	Pass	Pass	Pass	FAN
45°C	Pass	Pass	Pass	FAN

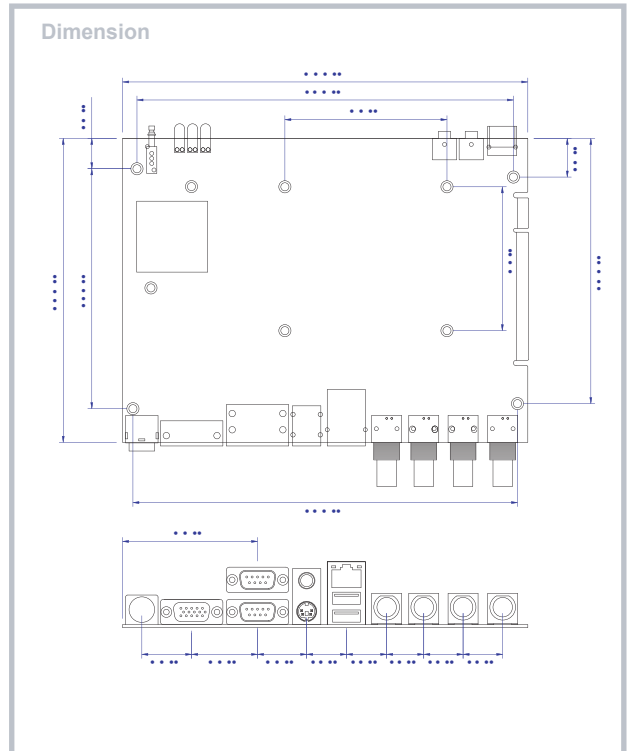
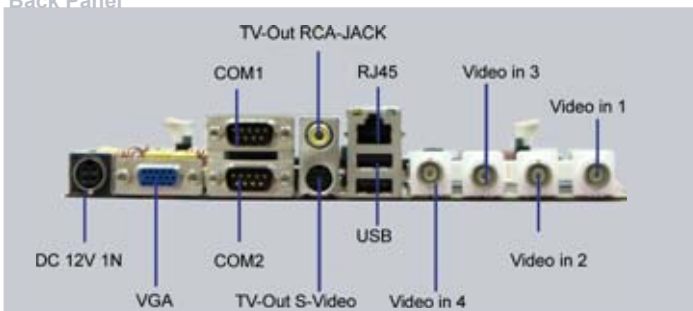
#### Temperature with 2.5" HDD

Chassis	Light	Neo	Twister	Mini
Temperature				
0°C	Pass	Pass	Pass	FAN
40°C	FAN	Pass	Pass	FAN
45°C	FAN	FAN	Pass	FAN



### SV823A Series

#### Back Panel



- Application** Video Surveillance for building monitoring, Access control & mobile PC.
- Features** VIA Eden/C3 solution  
4~16 ports Video-in  
TV-OUT

#### Specifications

- . CPU type On-board VIA C3/ Eden 376 PIN EBGA package
- . Front Side Bus 100/133 MHz
- . MB Chipset VIA CLE266 VT8623 + VT8235
- . Graphics Integrated with VT8623  
Shared system memory up to 64MB
- . Memory 1 x DDR SDRAM (max. 512MB)
- . IDE Ultra DMA-133/100/66 transfer protocols  
1x 40 pin 2.54mm, 1x44 pin 2.0mm  
Support Compact Flash card type II for ATA interface
- . Sound AC'97 2.1
- . Video-in 4~16 ports with Conexant BT878A chipset
- . TV-Out NTSC(M, J) or PAL(B,D,G,H,I,M,N,Nc)
- . LAN 1 x Realtek 10/100 Mbps (SV823A-4S10E)  
1 x Intel Gigabit (SV823A-4U/4H)
- . IO function 1 x RS232, 1x RS232/422/485  
Support Infrared SIR and FIR
- . USB 4 x USB 2.0
- . DIO & WDT Hardware digital Input & Output, 4xDI / 4xDO  
Hardware Watch Dog Timer, 0~255 sec programmable
- . Expand interface 1 x PCI gold finger, rev.2.2 interface
- . Power On board DC +12V convert to +3.3V/+12V/+5V for system
- . Dimension 200 x 150 mm<sup>o</sup>
- . Operation Temperature : 0 ~ 45 C<sup>o</sup>
- . Operation Humidity : 5~95% @ 45 C, non-condensing

#### Ordering Information

- . SV823A-4S10E 1 chip (Conexant BT878A) with 4 video-in channels, 1Ghz
- . SV823A-4U10E 4 chip (Conexant BT878A) with 4 video-in channels, 1Ghz
- . SV823A-4H10E 4 chip (Conexant BT878A) with 16 video-in channels, 1Ghz

#### Testing environment

Model name : **SV823A-4U10E**  
 CPU : VIA Eden 1GHz  
 Chipset : VIA CLE266  
 OS : WIN XP  
 Testing Program 3D Mark 2001 SE

#### Temperature with CF card

Chassis	Light	Neo	Twister	Mini
Temperature				
0°C	Pass	Pass	Pass	FAN
40°C	Pass	Pass	Pass	FAN
45°C	Pass	Pass	Pass	FAN

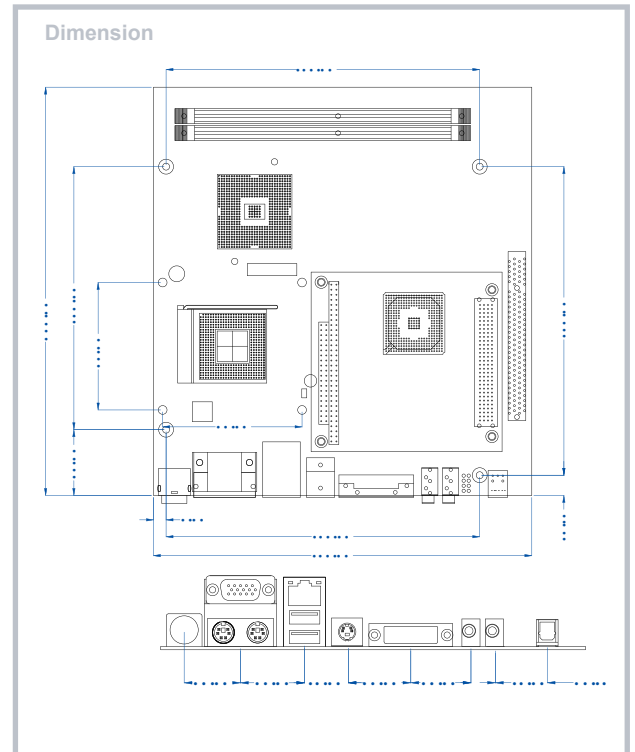
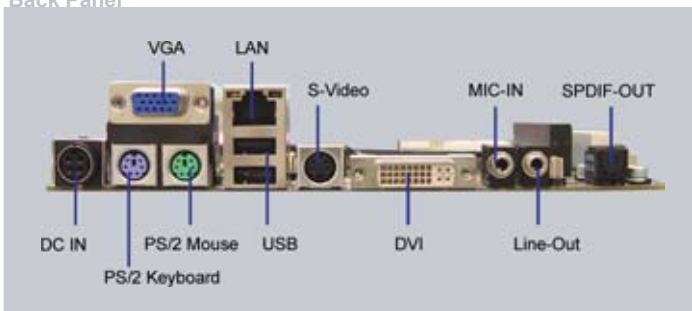
#### Temperature with 2.5" HDD

Chassis	Light	Neo	Twister	Mini
Temperature				
0°C	Pass	Pass	Pass	FAN
40°C	FAN	Pass	Pass	FAN
45°C	FAN	FAN	Pass	FAN



### FI852A Series

#### Back Panel



**Application** Network, POS/Industrial Control, Multimedia, and Surveillance / DVR Solutions

**Features** Intel Pentium M /Celeron M solution  
4 COM  
PCI 104 / Mini PCI / PCI  
LVDS / Twin-View  
DVI

#### Specifications

- . CPU type Intel Pentium M- /Celeron M-Dothan processor
- . Front Side Bus 400/533 MHz
- . MB Chipset Intel 82852GME + ICH4
- . Graphics Integrated with Intel 82852GME  
Shared system memory up to 64MB
- . LVDS Supports data format of 18 bits/36 bits
- . TV OUT/ DVI Chronitel CH7009 for SDTV and DVI
- . Memory 2 x DDR SDRAM (max. 2GB)
- . IDE Ultra ATA 100/66/33, 2x 40 pin 2.54mm, 1x44 pin 2.0mm  
Support Compact Flash card type II for ATA interface
- . Audio AC-Link for Audio CODEC, AC'97 2.3 5.1 channel
- . LAN 1 x Realtek 10/100 Mbps (optional Realtek/Intel Gigabit)
- . IO function 3 x RS232 + 1 x RS232/422/485  
Supports IrDA 1.0/ASKIR protocol  
1 x FDC interface for slim type FDD
- . USB 6 x USB 2.0
- . DIO & WDT Hardware digital Input & Output, 4xDI / 4xDO  
Hardware Watch Dog Timer, 0~255 sec programmable
- . Expand interface 1 x Mini PCI for only PCI rev: 2.2 interface  
1 x PCI slot, rev.2.2 interface  
1 x PCI 104(Optional)
- . Dimension 190 x 205 mm
- . Operation Temperature : 0 ~ 60° C
- . Operation Humidity : 5~95% @ 60° C, non-condensing

#### Ordering Information

- . FI852A-RNXX 1 LAN, Socket478
- . FI852A-RPXX 1 LAN, PCI 104, Socket478

#### Testing environment

Model name : **FI852A-RNXX**  
CPU : Intel Pentium M 2.13GHz  
Chipset : Intel 82852GM and Intel 82801DB ICH  
OS : WIN XP  
Testing Program 3D Mark 2001 SE

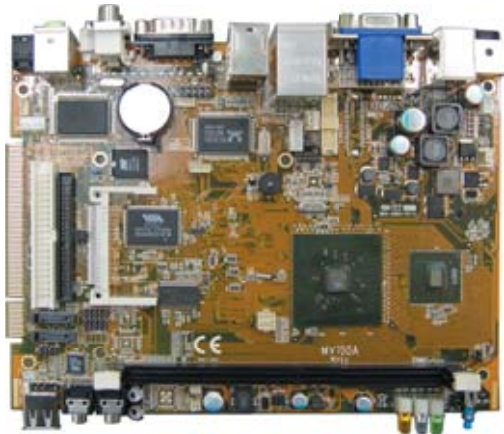
#### Fanless solution with CF card

Chassis	Twister	Tino
Temperature		
0°C	Pass	Pass
40°C	Pass	Pass
45°C	Pass	Pass

#### Fanless solution with 2.5" HDD or 3.5" HDD

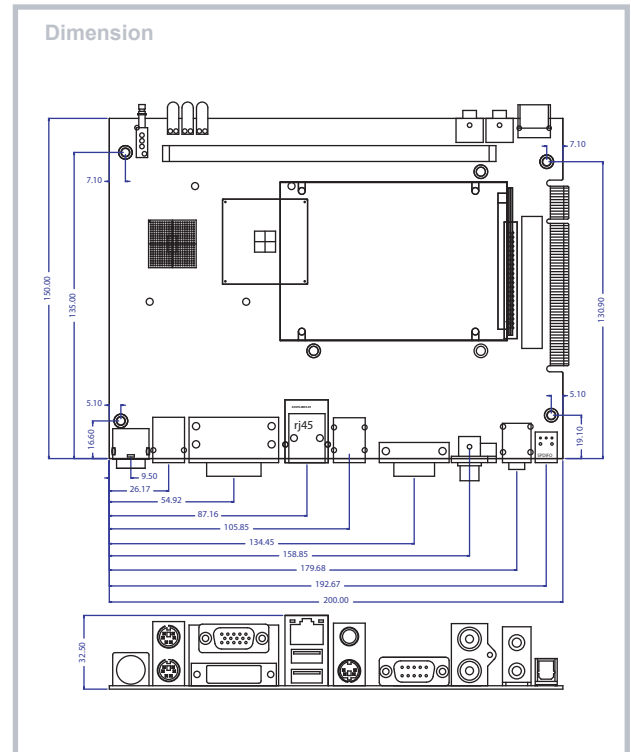
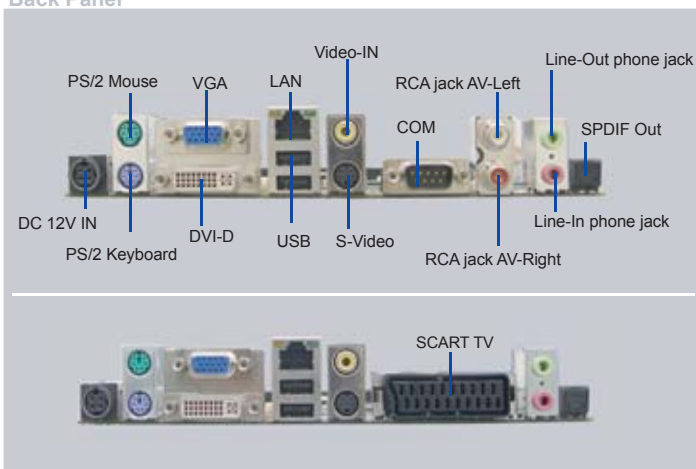
Chassis	Twister	Tino
Temperature		
0°C	Pass	Pass
40°C	Pass	Pass
45°C	Pass	Pass





### MV700A Series

#### Back Panel



**Application** Multimedia Applications for VOD, STB, Home entertainment, and gaming

**Features** VIA V4 bus processor Eden/C7  
 CRT / S-Video / LVDS / DVI, TWIN VIEW  
 High definition Audio  
 Video-in  
 Touch screen controller on board  
 2 x SATA  
 6W stereo audio amplifier

#### Specifications

- . CPU type VIA Eden(V4)/ C7 nano BGA2 400 pin, L1/L2 128K on die
- . Front Side Bus 400/533 MHz
- . MB Chipset VIA CX700M
- . Graphics Integrated with VIA CX700M  
 Shared system memory up to 128MB  
 MPEG-2/MPEG-4/WMV9 decoding mode
- . Memory 1 x DDRII SDRAM (max. 1GB)
- . CRT/HDTV Supports CRT resolution up to 1920 x 1440  
 Support TV resolution up to 1920x1080i  
 Integrated with HDTV encoder  
 Compliant with NTSC (M and J) or PAL (B, D, G, H, I, M, N and Nc) TV  
 Support SCART connector(no support for RGB signal) (Option)
- . LVDS/DVI Supports data format of 18bits/24bits single-channel panel and one single-channel DVI panel,  
 or 36bit/48bits dual-channel LVDS panel.
- . IDE Ultra DMA-133/100/66 transfer protocols  
 1 x 40 pin 2.54mm, 1 x 44 pin 2.0mm  
 Support Compact Flash card type II for ATA interface
- . Video-In 1 port with Conexant Fusion 878A video codec
- . SATA Supports up to Two channel SATA connectors  
 Integrated SATA PHY supporting 1.5 Gbit/s and 3 Gbit/s transfer rate

- . LAN 1 x Realtek 10/100 Mbps (optional Realtek/Intel Gigabit)
- . IO function 1x RS232  
 Support Infrared SIR and FIR
- . Audio VIA VT1708/A HD Audio codec; Two channel SOUND  
 Intel High Definition Audio Specification Rev.1.0 Compliant  
 Support SPDIF-Out
- . USB 5 x USB 2.0
- . Touch Screen (Option) USB interface Touch screen controller  
 Supported 4-, 5-, 8- wire Analog Resistive touch screen.  
 Resister range from 200 to 1000 Ohm  
 USB 1.1full speed sample rate (max. 300 point/s)
- . Audio Amplifier (Option) 6-W/CH Into an 8-Ω Load from a 12-V Supply  
 Up to 92% Efficient, Class-D operation  
 Differential Input minimizes Common-Mode noise
- . DIO & WDT (Option) Hardware digital Input & Output, 8xDI / 8xDO  
 Hardware Watch Dog Timer, 0~255 sec programmable
- . Expand interface One Mini PCI socket for only PCI rev 2.2 interface  
 One PCI Gold Finger for only PCI rev 2.2 interface
- . Power On board power DC +12V ±5% convert to +3.3V/+12V/+5V for system
- . Dimension 200 x 150 mm
- . Operation Temperature : 0 ~ 60°C
- . Operation Humidity : 5~95% @ 60°C, non-condensing

#### Ordering Information

- . MV700A-1R10C 1 LAN, 1Ghz, VIA C7 processor
- . MV700A-FR10C 1 LAN, 1Ghz, VIA C7 , Touch screen control board, DIO

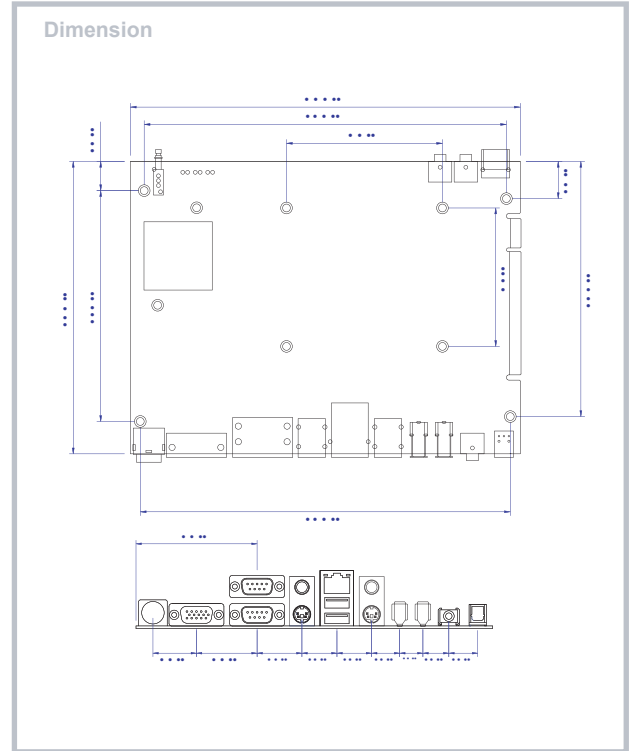
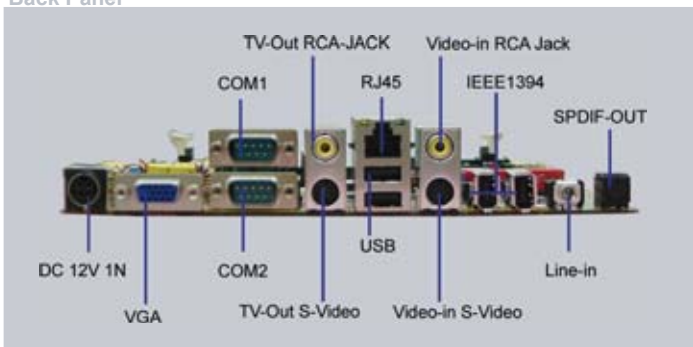
#### Available Chassis

Light / Neo / Twister / Fanless Panel PC



## MV823A Series

### Back Panel



- Application** Multimedia Applications for VOD, STB, Home entertainment, and gaming
- Features**
  - VIA Eden solution
  - On-board IEEE 1394
  - Video-in
  - TV-out & LVDS
  - Twin-View
- Specifications**
  - . CPU type On-board VIA Eden 376 PIN EBCGA package
  - . Front Side Bus 100/133 MHz
  - . MB Chipset VIA CLE266 VT8623 + VT8235
  - . Graphics Integrated with VT8623
  - . Memory Shared system memory up to 64MB
  - . IDE 1 x DDR SDRAM(max. 512MB)
  - . IDE Ultra DMA-133/100/66 transfer protocols
  - . IDE 1 x 40 pin 2.54mm, 1 x 44 pin 2.0mm
  - . IDE Support Compact Flash card type II for ATA interface
  - . Sound AC'97 2.2
  - . Sound Support 5.1 channel Audio and SPDIF-OUT
  - . LVDS (Option) Support data format of 18 bits/36 bits
  - . TV-Out NTSC(M, J) or PAL(B,D,G,H,I,M,N,Nc)
  - . LAN 1 x Realtek 10/100 Mbps
  - . IO function 2x RS232
  - . Video-In Support Infrared SIR and FIR
  - . Video-In Philip SAA7113H Video decode with VIA CLE266 video capture
  - . Video-In Support NTSC/PAL/PAL-M/SECAM video in
  - . USB 4 x USB 2.0
  - . IEEE 1394 OHCI compliant programming interface
  - . IEEE 1394 Integrated 400Mbit 2 port PHY
  - . DIO & WDT (Option) Hardware digital Input & Output, 4xDI / 4xDO
  - . DIO & WDT (Option) Hardware Watch Dog Timer, 0~255 sec programmable
  - . Expand Interface 1 x PCI gold finger, rev. 2.2 interface
  - . Power On board DC +12V convert to +3.3V/+12V/+5V for system
  - . Dimension 200 x 150 mm

### Testing environment

Model name : **MV823A-FER10E**

CPU : VIA Eden 1GHz

Chipset : VIA CLE266

OS : WIN XP

Testing Program 3D Mark 2001 SE

#### Fanless solution with CF card

Chassis	Light	Neo	Twister	Fanless Panel PC
Temperature				
0°C	Pass	Pass	Pass	Pass
40°C	Pass	Pass	Pass	Pass
45°C	Pass	Pass	Pass	Pass

#### Temperature with 2.5" HDD

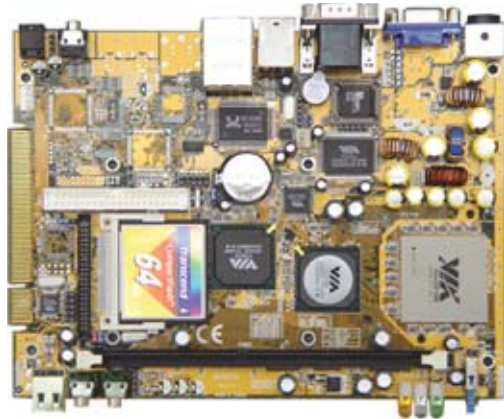
Chassis	Light	Neo	Twister	Fanless Panel PC
Temperature				
0°C	Pass	Pass	Pass	Pass
40°C	FAN	Pass	Pass	Pass
45°C	FAN	FAN	Pass	Pass

- . Operation Temperature : 0 ~ 45°C
- . Operation Humidity : 5~95% @ 45°C, non-condensing

#### Ordering Information

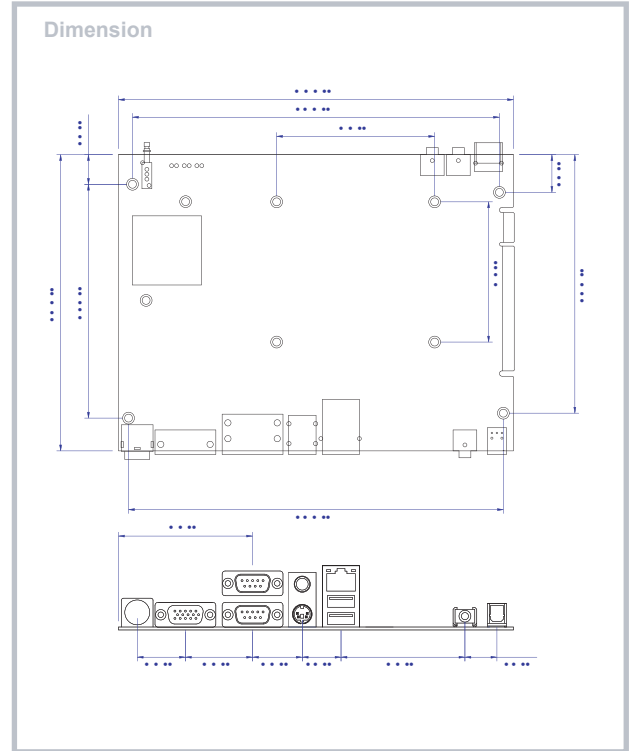
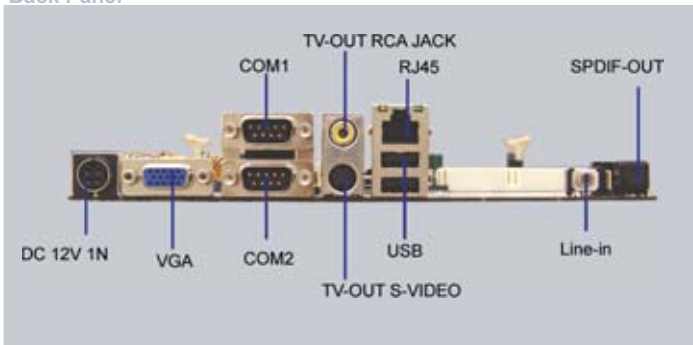
- . MV823A-CER10E Eden 1GHz
- . MV823A-FER10E Eden 1GHz, LVDS, WDT, DIO





## MV823S Series

### Back Panel



**Application** Multimedia Applications for VOD, STB, Home entertainment, and gaming. Or Network Appliances for Firewall, VPN, Thin Client, and Server.

**Features** VIA Eden solution  
TV-out  
SPDIF

### Specifications

- . CPU type On-board VIA Eden 376 PIN EPGA package
- . Front Side Bus 100/133 MHz
- . MB Chipset VIA CLE266 VT8623 + VT8235
- . Graphics Integrated with VT8623  
Shared system memory up to 64MB
- . Memory 1 x DDR SDRAM(max. 512MB)
- . IDE Ultra DMA-133/100/66 transfer protocols  
1 x 40 pin 2.54mm, 1 x 44 pin 2.0mm  
Support Compact Flash card type II for ATA interface
- . Sound AC'97 2.2  
Support 5.1 channel Audio and SPDIF-OUT
- . TV-Out NTSC(M, J) or PAL(B,D,G,H,I,M,N,Nc)
- . LAN 1 x Realtek 10/100 Mbps
- . IO function 2x RS232  
Support Infrared SIR and FIR
- . USB 4 x USB 2.0
- . Expand Interface 1 x PCI gold finger, rev. 2.2 interface
- . Power On board DC +12V convert to +3.3V/+12V/+5V for system
- . Dimension 200 x 150 mm
- . Operation Temperature : 0 ~ 45°C
- . Operation Humidity : 5~95% @ 45°C, non-condensing

### Ordering Information

- . MV823S-1R53 1 LAN, Eden 533MHz
- . MV823S-1R10E 1 LAN, Eden 1GHz

### Testing environment

Model name : **MV823S-1R10E**  
CPU : VIA Eden 1GHz  
Chipset : VIA CLE266  
OS : WIN XP  
Testing Program 3D Mark 2001 SE

#### Fanless solution with CF card

Chassis	Light	Neo	Twister
Temperature			
0°C	Pass	Pass	Pass
40°C	Pass	Pass	Pass
45°C	Pass	Pass	Pass

#### Temperature with 2.5" HDD

Chassis	Light	Neo	Twister
Temperature			
0°C	Pass	Pass	Pass
40°C	FAN	Pass	Pass
45°C	FAN	FAN	Pass

## TINO Series



TINO Chassis without top-cover



### Explore the mystery of heat !!

With an excellent fanless support up to Pentium M 2.13Ghz CPU TINO brings you a whole new experience with heat. Performance and quiet working environment can be delivered at the same time without compromise.

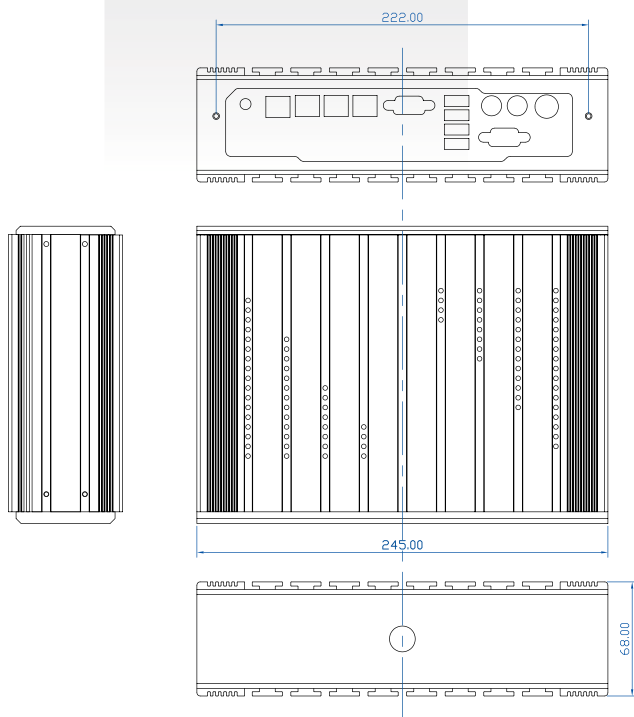
**Application :**  
**Network device, VPN, VOD,  
 POS and DVR system**

**Technical Data :**

- . Dimension 68 H x 245 W x 177 D mm
- . Dimension 68 H x 245 W x 234 D mm (FI852A)
- . Material Aluminum
- . Color Black
- . Weight 2.9 Kgs ( Incl. M/B )
- . Storage Space 1 x 2.5" HDD +1 x PCI 104

M/B information: ( Please refer to M/B specification )

M/B Model	Description
CI852A	4 LAN
CI852C	4 COM ports
SI852A	4-16 Video-in
FI852A	Twin-view / LVDS / 4 COM ports / PCI104 / Mini PCI
CI852CW	4 COM ports / Wide range DC-IN



## TWISTER Series



TWISTER Chassis without top-cover



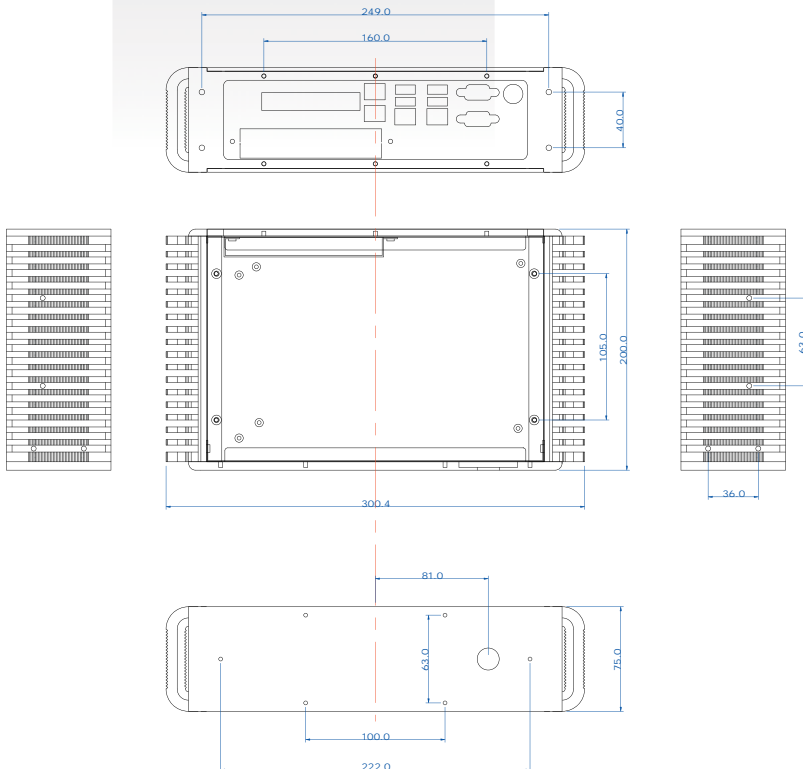
**Application :**  
Thin Client, Network device, Set-Top Box, VPN, VOIP, DVR and POS system

**Technical Data :**

. Dimension	75 H x 300 W x 200 D mm
. Dimension	75 H x 300 W x 263 D mm (FI852A)
. Material	Aluminum
. Color	Black
. Weight	2.9 Kgs ( Incl. M/B )
. Storage Space	1 x 2.5" HDD (available with 1 PCI Card) or 1 x 3.5" HDD
. PCI Slot	1 (PCI riser card option)

M/B information: ( Please refer to M/B specification )

M/B Model	Description
CV860A	1~3 LAN
CV862A	3 LAN
CV863A	2 PCMCIA Slot / 4 LAN
SV823A	4~16 Video in
MV823A	2 IEEE1394 / Video in & TV-out, LVDS (option)
MV823S	1 LAN, TV-out
CV700A	3 LAN
CV700C	4 COM Ports
CV763A	2 PCMCIA Slot / 4 LAN
MV700A	Twin-view / Video-in, LVDS(option)
CI852A	4 LAN
CI852C	4 COM ports
SI852A	4~16 Video-in
FI852A	Twin-view / LVDS / 4 COM ports / PCI104 / Mini PCI



**Option ( CV863A/CV763A are excluded )**

Wireless Lan	Chip: ATMEL , USB Interface , 802.11g Standard , Driver: Win98,ME,2K,XP,Linux, 128bit WEP Encryption Support
56K Modem(CX)	Chip: Conexant , USB Interface , Driver: Win98,ME,2K,XP,Linux
ISDN	Chip: Cologne, ISDN Standard ETSI Euro ISDN, Driver: Win98,ME,2K,XP,Linux
ADSL	Chip: Conexant , ANSI T1.413 Issue 2, ITU-T G.992( G.dmt ) and G.992.2(G.lite) Annex A,B. Driver: Win98,ME,2K,XP,Linux



## NEO Series



NEO Chassis without top-cover



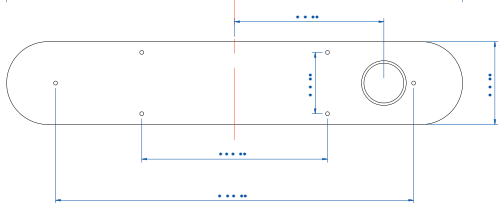
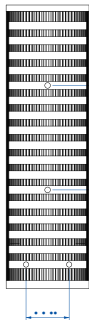
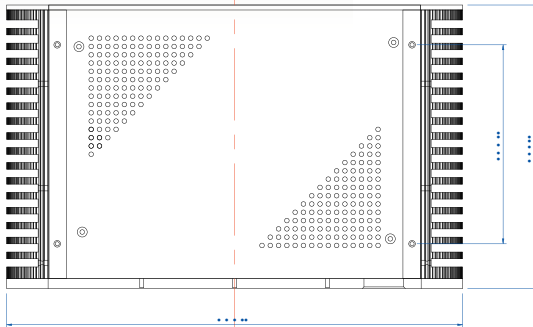
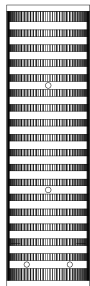
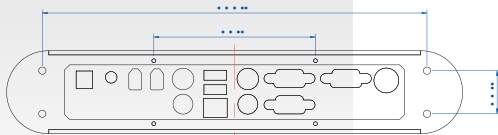
**Application :**  
Thin Client, Network device, Set-Top Box, VPN, VOIP, DVR and POS system

**Technical Data :**

• Dimension	50 H x 275 W x 172 D mm
• Material	Aluminum
• Color	Black
• Weight	2 Kgs ( Incl. M/B )
• Storage Space	1 x 2.5" HDD

M/B information: ( Please refer to M/B specification )

M/B Model	Description
CV860A	1~3 LAN
CV862A	3 LAN
CV860C	4 COM Ports
CV863A	2 PCMCIA Slot / 4 LAN
CV866C	4 COM Ports, LVDS
SV823A	4~16 Video in
MV823A	2 IEEE1394 / Video in & TV-out, LVDS (option)
MV823S	1 LAN, TV-out
CV700A	3 LAN
CV700C	4 COM Ports
CV763A	2 PCMCIA Slot / 4 LAN
MV700A	Twin-view / Video-in, LVDS(option)
CI852A	4 LAN
CI852C	4 COM ports
SI852A	4~16 Video-in



**Option ( CV863A/CV763A are excluded )**

Wireless Lan	Chip: ATMEL , USB Interface , 802.11g Standard , Driver: Win98,ME,2K,XP,Linux, 128bit WEP Encryption Support
56K Modem(CX)	Chip: Conexant , USB Interface , Driver: Win98,ME,2K,XP,Linux
ISDN	Chip: Cologne, ISDN Standard ETSI Euro ISDN, Driver: Win98,ME,2K,XP,Linux
ADSL	Chip: Conexant , ANSI T.1413 Issue 2, ITU-T G.992( G.dmt ) and G.992.2(G.lite) Annex A,B. Driver: Win98,ME,2K,XP,Linux



Wireless Lan



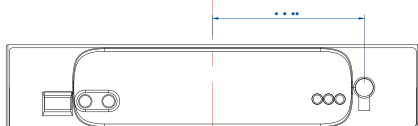
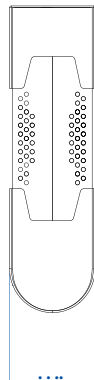
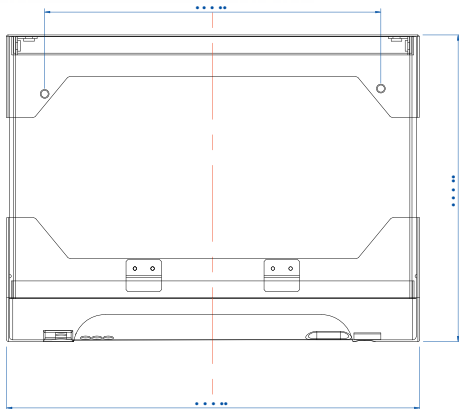
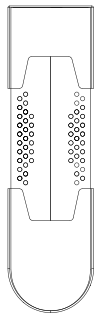
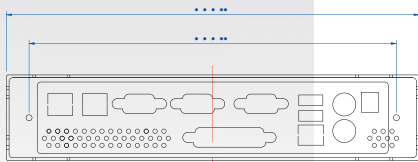
## LIGHT Series



**Application :**  
Thin Client, Network device, Set-Top Box, VPN, VOIP and POS system

**Technical Data :**

· Dimension	48.5 H x 234 W x 175 D mm
· Material	Aluminum + Plastic ( Silver Cover )
· Color	Blue / Silver
· Weight	1 Kgs ( Incl. M/B )
· Storage Space	1 x 2.5" HDD
· LED Light	Power / Network / HDD
· Front Connector	1 x USB, Mic-in, Lin-out



LIGHT Chassis without top-cover



M/B information: ( Please refer to M/B specification )

M/B Model	Description
CV860A	1~3 LAN
CV862A	Pin Head connector
CV860C	4 COM Ports
CV863A	2 PCMCIA Slot / 4 LAN
CV866C	4 COM Ports, LVDS
SV823A	4~16 Video in
MV823A	2 IEEE1394 / Video in & TV-out
MV823S	1 LAN, TV-out
CV700A	1~3 LAN
CV700C	6 COM Ports
CV763A	2 PCMCIA Slot / 4 LAN
MV700A	Twin-view / Video-in, LVDS(option)
CI852A	4 LAN
CI852C	4 COM ports
SI852A	4~16 Video-in

**Option ( Function inside the case )**

Wireless Lan	Chip: ATMEL , USB Interface , 802.11g Standard , Driver: Win98,ME,2K,XP,Linux, 128bit WEP Encryption Support
56K Modem(CX)	Chip: Conexant , USB Interface , Driver: Win98,ME,2K,XP,Linux
ISDN	Chip: Cologne, ISDN Standard ETSI Euro ISDN, Driver: Win98,ME,2K,XP,Linux
ADSL	Chip: Conexant , ANSI T.1413 Issue 2, ITU-T G.992( G.dmt ) and G.992.2(G.lite) Annex A,B. Driver: Win98,ME,2K,XP,Linux



## Mini Series



**Application :**  
DVR system

**Technical Data :**

• Dimension	65 H x 320 W x 334 D mm
• Material	Aluminum
• Color	Black / Beige
• Weight	3 Kgs ( Incl. M/B and External power )
• Storage Space	3.5" HDD + 1 x Slim CD-ROM or 2 x 3.5" HDD
PCI Slot	1
LED Light	Power / Network / HDD

Mini Chassis without top-cover



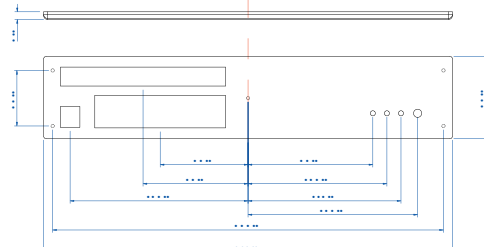
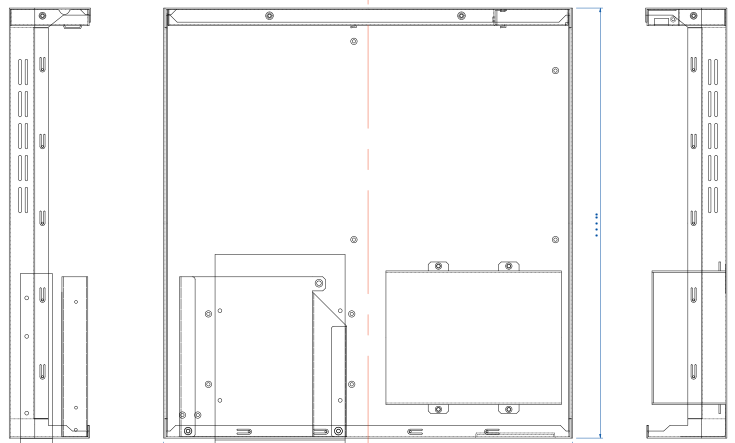
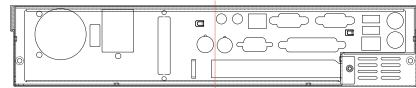
M/B information: ( Please refer to M/B specification )

M/B Model	Description
SV823A	4~16 Video-in

SV823A Front panel



SV823A back panel



## BLPX Series



**Application :**  
POS system

**Technical Data :**

• Dimension	61 H x 285 W x 240D mm
• Material	Aluminum
• Color	Beige
• Weight	3 Kgs ( Incl. M/B and External power )
• Storage Space	3.5" HDD x 1 + Slim CD-Rom x 1
• PCI	1
• LED Light	Power / Network / HDD
• Front Connector	2 x USB

Back panel



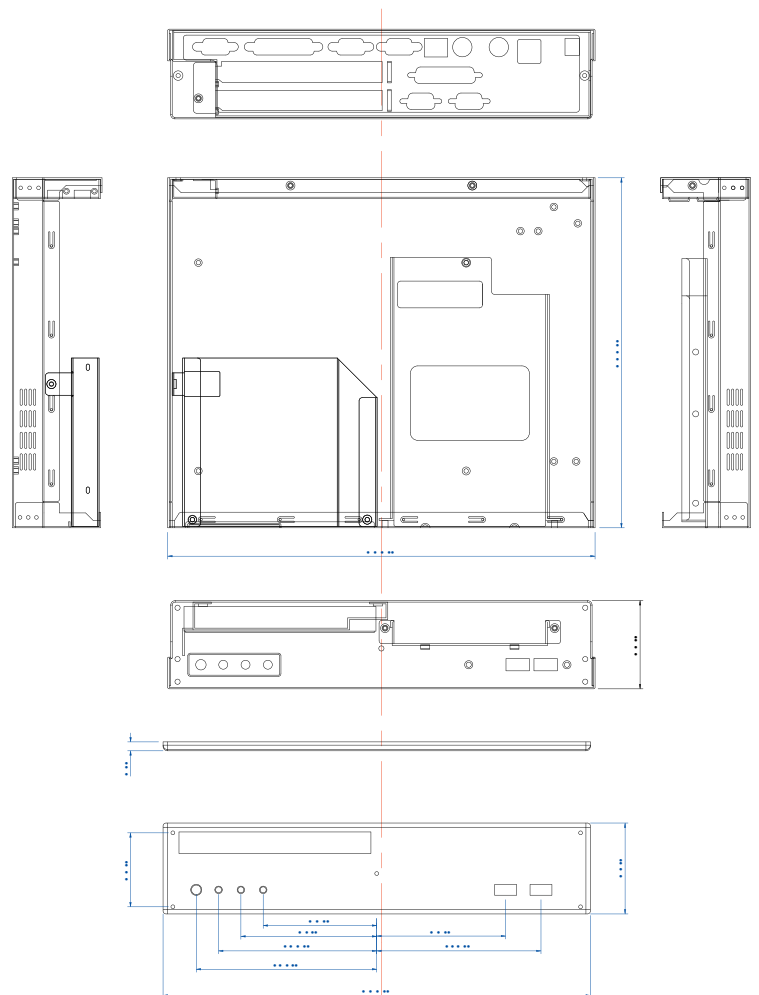
BLPX Chassis without top-cover

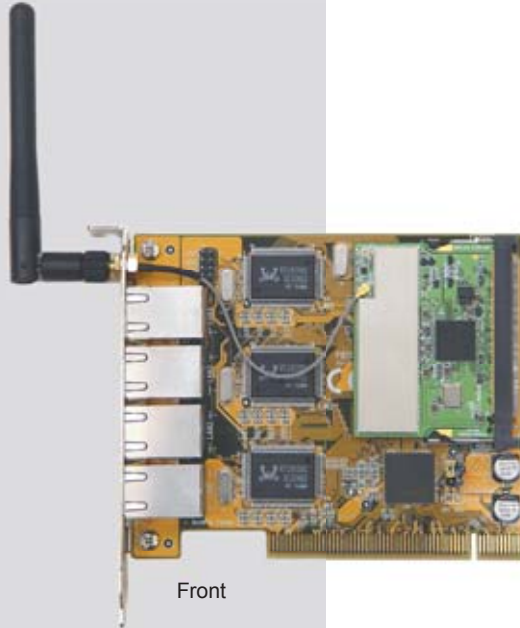


External Power supply

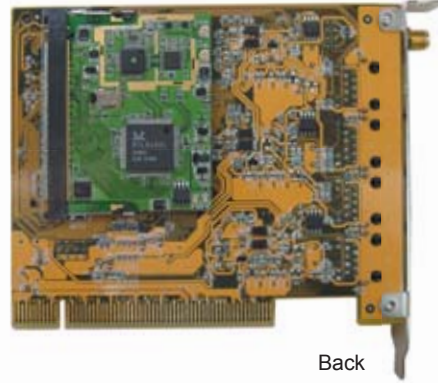
**M/B information:** ( Please refer to M/B specification )

M/B Model	Description
LPX8601	All-in One M/B / 4 Com Ports / ATX Power
LV866A	All-in One M/B / 4 Com Ports / LVDS / ATX Power





Front



Back

## P811B

**Multiple LAN Ports PCI Card: Total Solution for Net Server Application.**

### Special Features :

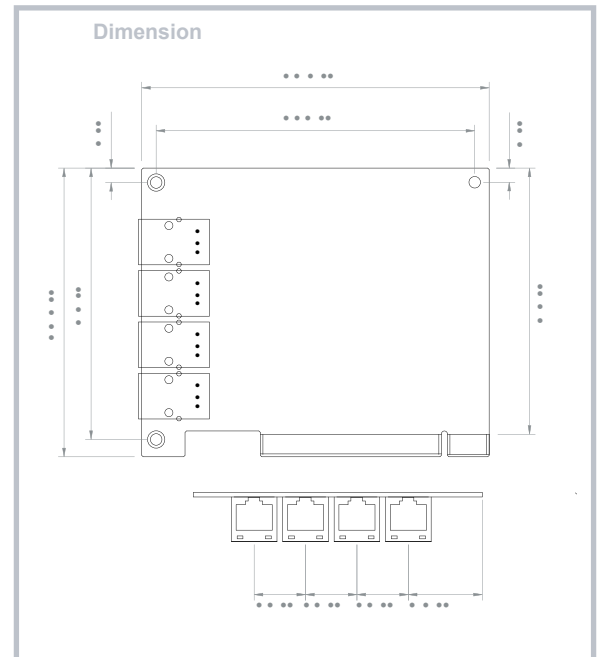
P811B Multiple LAN Ports PCI Card is integrated with Realtek Chipset and provides 4 x Lan Ports + 2 x Mini PCI Slot. The Multiple LAN Ports can be the Net Server Application. The Mini PCI slot shares with 4 / 3 Lan Port and customer can install with Wireless LAN Mini PCI card.

### Technical Data :

• PCI Bridge ChipSet	PLX PCI 6152 33BC
• PCI Statard	PCI 2.2
• Lan ChipSet	4 x Realtek RLT8100C for 10/100M 4 x Realtek RLT8100SC for 10/100/1G
• Wake On LAN (PME) Function	Yes
Full Duplex Flow Control (IEEE 802.3x)	Yes
• PXE and RPL boot Function	Depend on M/B BIOS Support
• Mini PCI socket	1 ( 2nd for option )
• LAN LED	Yes, Pin Head on board
• Driver	MS Windows 98/ME/2000/XP, Linux

### Order information

M/B Model	Description
P811B-4R	Realtek RTL8100C 10/100M, 2 x MINI PCI socket





## Security



**D878H-4U**



**D878H-4H**

- D878H-4U : 4 Chipset to 4 Ports Video in / WDT and DIO
- D878H-4H : 4 Chipset to 16 Ports Video in / WDT and DIO

**Chipset list :**

Video in: Conexant BT878A Video capture chipset

**Technical Data :**

- . Support PCI 104 spec interface card .
- . Video decode use Conexant Fusion 878A
- . Supports Four ports Real Time and up to sixteen ports Time Share screen Capture frame
- . NTSC / PAL video in type
- . Supports capture resolution up to 768 x 576 ( full PAL )
- . Multiple YcrCb and RGB pixel formats and YUV planar
- . Performs complex clipping of Video source and VGA video overlay
- . Integrates advanced chroma and luma comb filter / scalers
- . Support UltraLock function

**I/O function :**

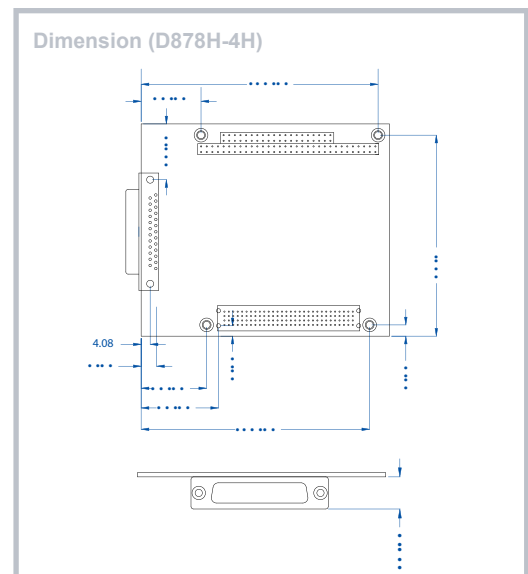
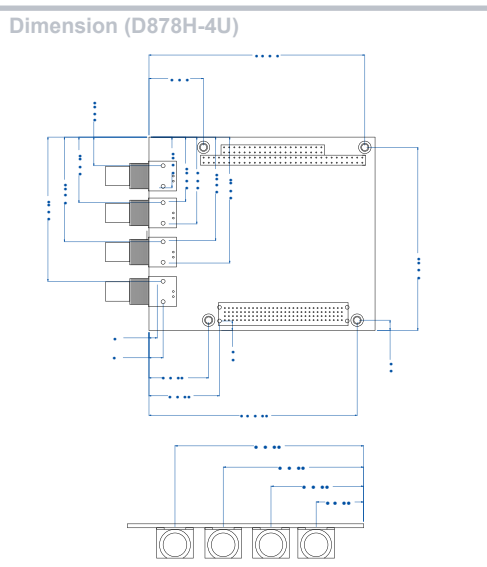
- . WDT Function : Hardware Watch Dog Timer can programmable 0-255 sec Provide system reset function
- . DIO Function : Four ports DI use Optically coupled isolators input interface. Four ports DO for relay isolators output junction drive.

**Dimension**

PCI 104 card 112 x 96 mm



CI852C+D878H-4U



## Communication



**D486A-P**

**D486A-P : PCI 104 dual slot PCMCIA module**

**Chipset list :**

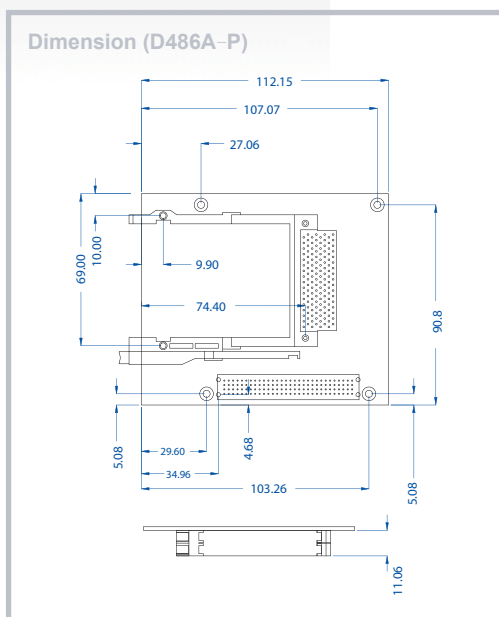
- . PCMCIA : Ricoh R5C486 Two PCMCIA TYPE II/III Chipset For D486A-P

**Technical Data :**

- . Ricoh R5C486 PCMCIA Chipset compliant PC-104 Plus spec interface card
- . Supports Two Port card sockets
- . CardBus (Card-32) Card and 16-bit (PCMCIA 2.1 / JEIDA 4.2 )Card work at the same time
- . Compliant with PC Card Standard Release 8.0 Specification
- . Compliant with i82365SL compatible register set / ExCA
- . Supports INTA# and INTB# for PC system interrupt.
- . Supports Serialized IRQ

**Dimension :**

PCI 104 card 112 x 96 mm



**D811A**

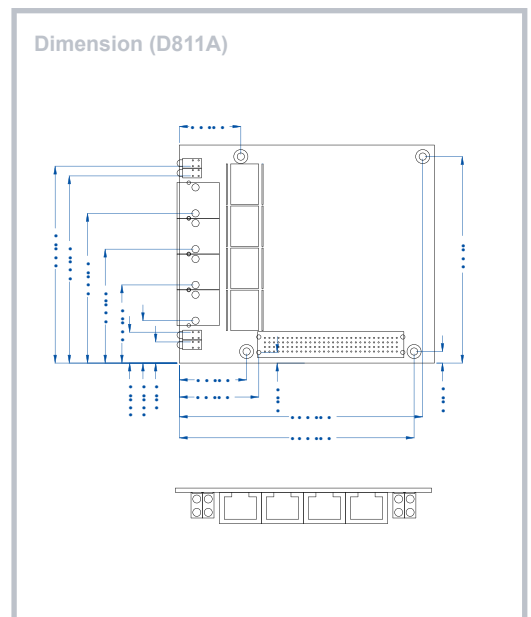
**D811A : PCI 104 4 Lan port module with RTL8100C**

**Chipset list :**

- . LAN chipset : RTL8100C LAN chip 128pin PQFP

**Technical Data :**

- . Four Realtek RLT8100C 10T/100T PCI Ethernet LAN chipset on card
- . PCI 104 Interface Support PCI bus 32bit /33MHz, Four Lan ports solution
- . Supports Full Duplex Flow Control (IEEE 802.3x)
- . Four ports LAN Link LED pin header support
- . Four ports LAN 10/100T LED speed detect
- . Four ports LAN active LED



# 1U 19" Server



## 19" 1U Embedded System

### Half size Rackmount Chassis

#### Description :

19"1U half size System Case provides possibility for 1 - 2 pcs MainBoard .  
Customer can apply with 3.5" HDD / 2.5" HDD /  
Slim Type CD-Rom upon the application request.

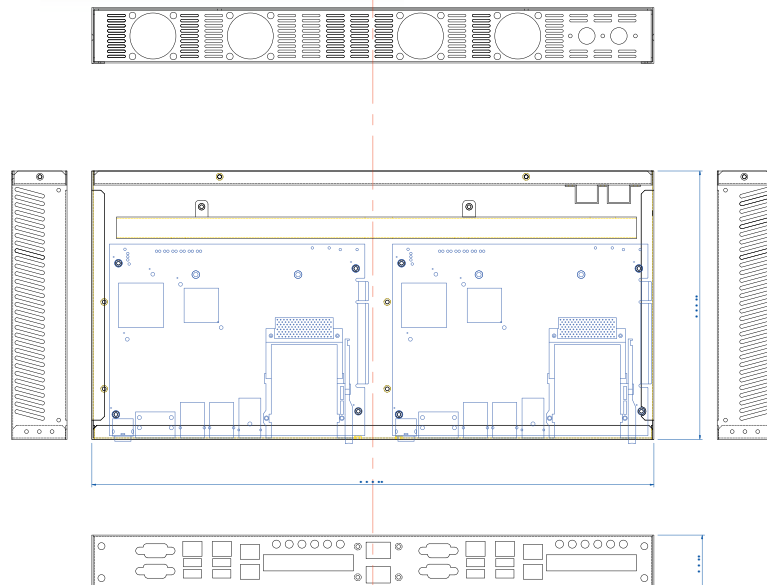
#### Technical Data :

. Dimension	44.5 H x 440 W x 210 D mm
. Material	SECCII
. Color	Black
. Weight	4.2 Kgs ( 2 pcs M/B ) , 3.5 Kgs ( 1 pcs M/B )
. Storage Space	3.5" HDD / 2.5" HDD / Slim CD-Rom

#### Ordering information

M/B Model	Q'ty 1N 1U	3.5"HDD	2.5"HDD	Slim CD-ROM
CV860A	1	1	X	1
CV862A	1	1	X	1
CV863A	1	1	X	1
CV860A	2	X	2	X
CV862A	2	X	2	X
CV863A	2	X	2	X
CI852A	2	X	2	X
CV700A	1	1	X	1
CV763A	1	1	X	1
CV700A	2	X	2	X
CV763A	2	X	2	X
CI852A	1	1	X	1
CI852A	2	X	2	X

#### Dimension



# 1U 19" Server



## 19" 1U Embedded System

### Description :

19"1U System Case provides possibility for 1 - 4pcs MainBoard .

Customer can apply with 3.5" HDD / 2.5" HDD / Slim Type CD-Rom upon the application request.

### Technical Data :

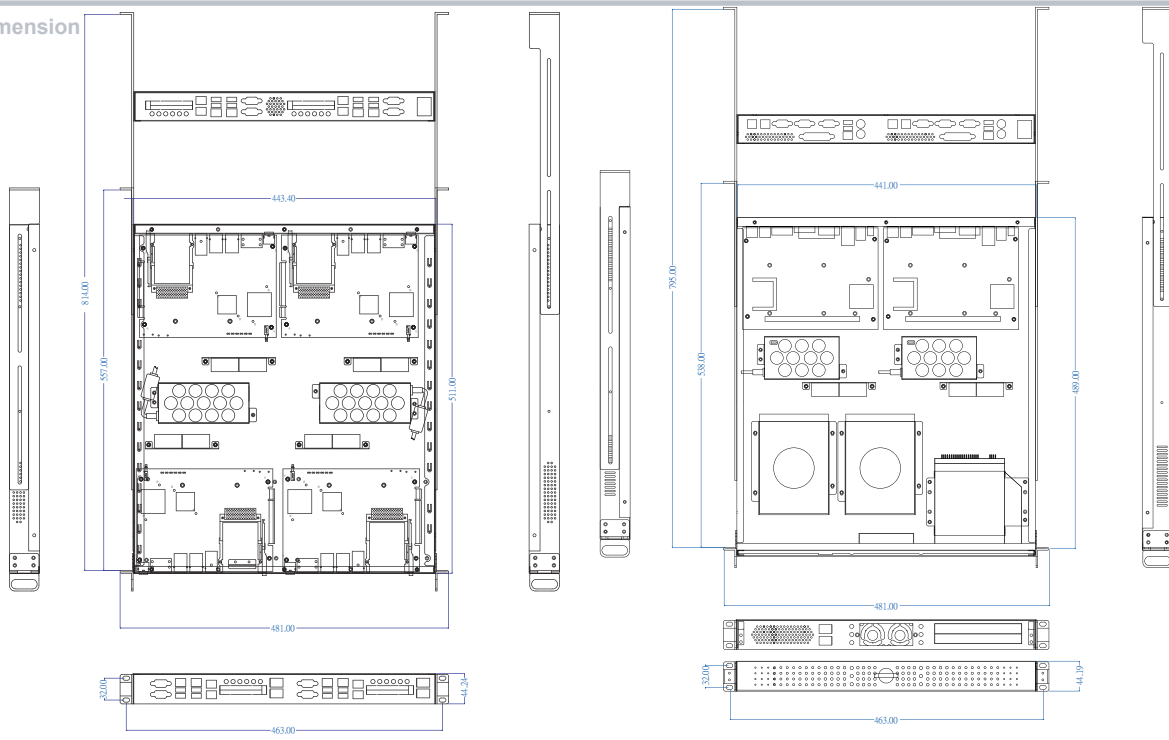
- Dimension 44.5 H x 440 W x 492 D mm ( 2 pcs M/B )
- Dimension 44.5 H x 440 W x 511 D mm ( 4 pcs M/B )
- Material SECCII
- Color Black
- Weight 8 Kgs ( 2 pcs M/B ) , 9 Kgs ( 4 pcs M/B )
- Storage Space 3.5" HDD / 2.5" HDD / Slim CD-Rom

### Ordering information

M/B Model	Q'ty 1N 1U	3.5"HDD	2.5"HDD	Slim CD-ROM
CV700A	2	2	X	2
CV763A	2	2	X	2
CV700A	4	X	4	X
CV763A	4	X	4	X
CI852A	2	2	X	2
CI852A	4	X	4	X



### Dimension





# Wall Mount System



## Wall Mount Series

### Special Feature :

Wall mount series system makes system installation much more easier. Not only VESA 75/100 arm mounting but also wall mount feature is considered. 8.4" panel can be assembled to the system as one of the options to meet the needs by various applications and working environments.

Case material: Aluminum  
VESA 75/100, Wall mount support

### Wall Mount System :

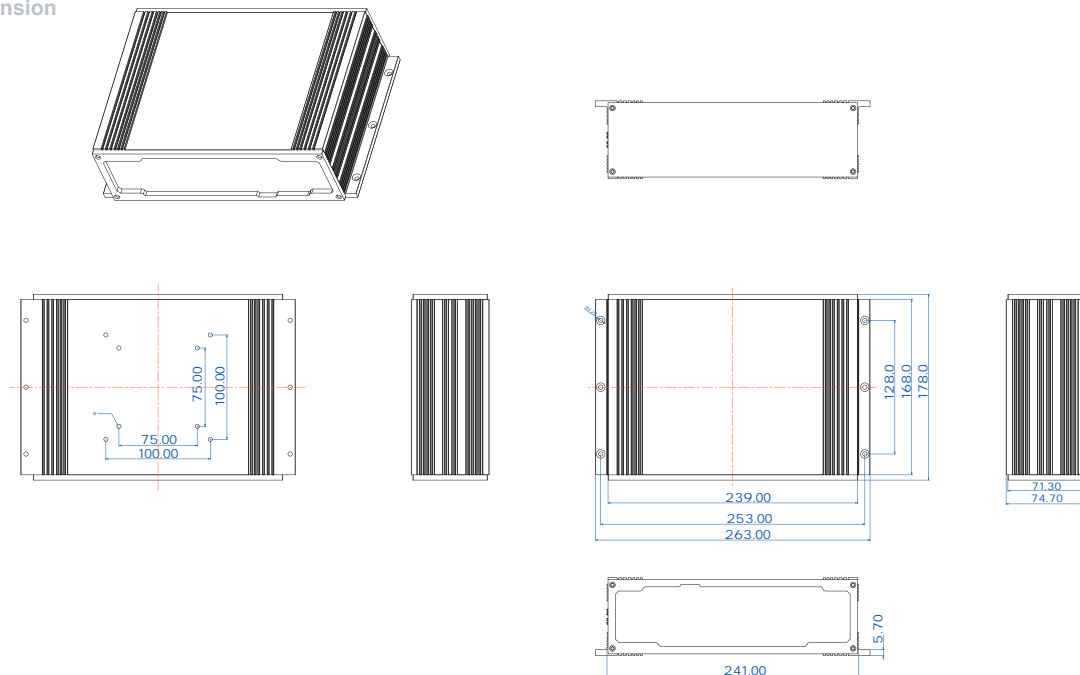
- Dimension Case: 74.7 H x 263 W x 178 D mm
- Weight 2.2 Kgs (Incl. M/B)



### M/B Information (Please refer to M/B specification)

M/B Model	CPU	Main features	HDD
CI852A	Intel Celeron M 1GHz	4 LAN	2.5"
CI852C	Intel Celeron M 1GHz	4 COM ports	2.5"
SI852A	Intel Celeron M 1GHz	4~16 Video-in	2.5"

### Dimension



# Wall Mount System



## Wall Mount Series

### Special Feature :

Wall Mount panel PC makes system installation much more easier. Not only VESA 75/100 arm mounting but also wall mount feature is considered. Other features like fanless, waterproof, and touch screen just realize the wishes from various applications in automation world.

Case material: Aluminum  
 LCD panel: 8.4" AU, Luminance: 220 nit  
 VESA 75/100, Wall mount support  
 Panel frame waterproof: IP65 Level  
 Touch panel(Optional): 8 wires(3M),4 wires (AMT), analog resistive sensor

### Panel PC :

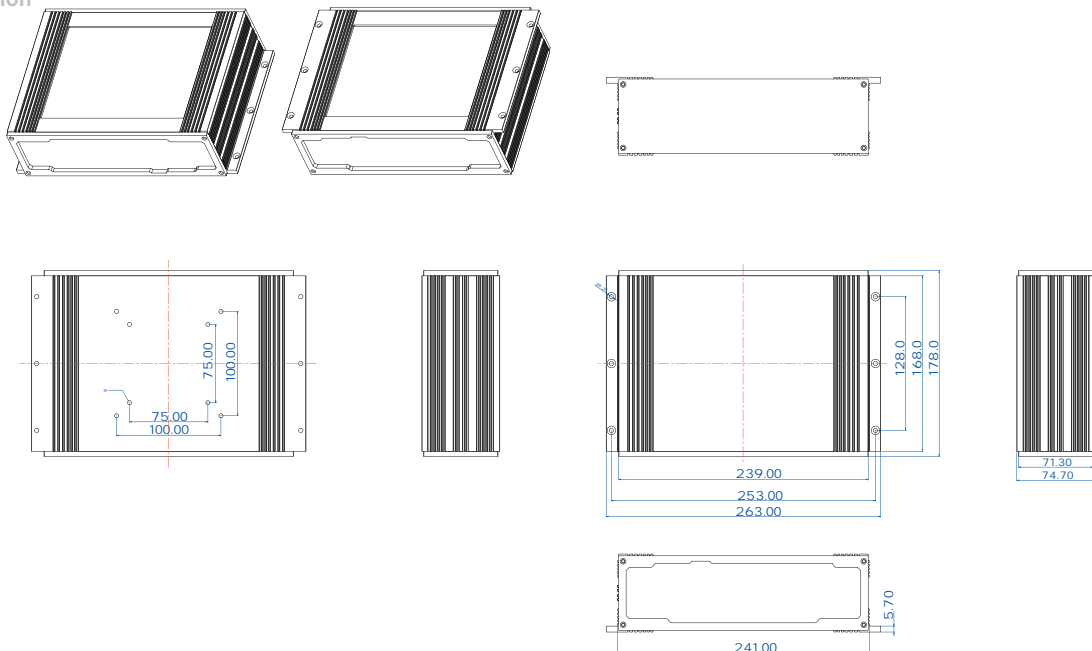
- Dimension 8.4" panel: 9 H x 270 W x 194 D mm  
 Case: 74.7 H x 263 W x 178 D mm
- Weight 2.9 Kgs (Incl. M/B)

### M/B Information (Please refer to M/B specification)

M/B Model	CPU	Main features	HDD
CI852A	Intel Celeron M 1GHz	4 LAN	2.5"
CI852C	Intel Celeron M 1GHz	4 COM ports	2.5"
SI852A	Intel Celeron M 1GHz	4~16 Video-in	2.5"



### Dimension



# Panel PC



**Fanless**  
8.4" Panel PC



**Fanless**  
10.4" Panel PC

## 8.4" / 10.4" LCD Panel PC

### Special Feature :

Panel PC provides Water Proof / Touch Screen ( Optional ) / Fanless Function.  
It can be easily mounted with Wall / Information Mech. / Ticket Mech. ....ect .  
Open-frame mechanical design is available upon customer's request.

Support VESA75 / VESA100 Mounting Spec.

Panel frame Water Proof : IP65

Touch Panel : 3M / AMT, Resistance Type . 8 Wires for 10.4" Panel PC , 8 Wires(3M) / 4Wires(AMT) for 8.4" Panel PC.(option)

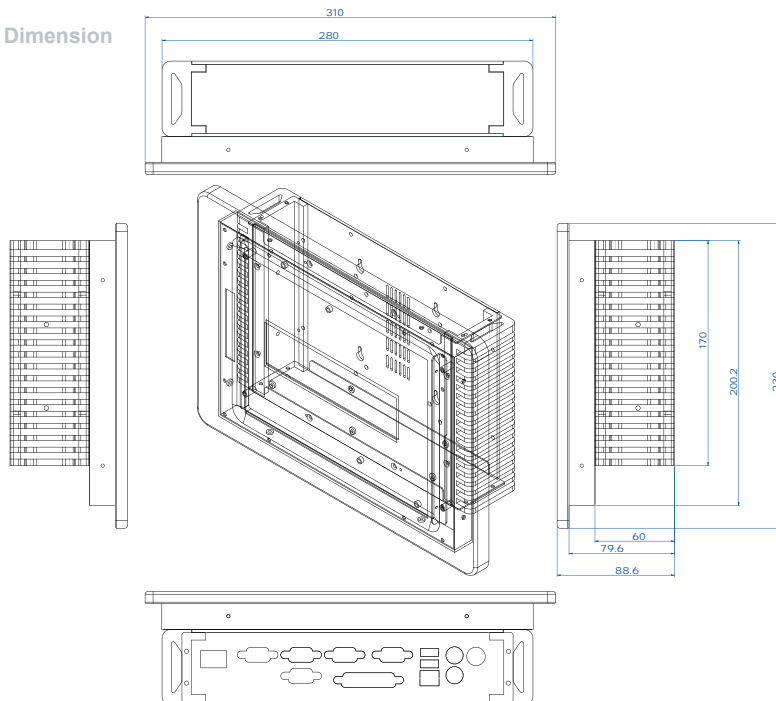
### Fanless Panel PC :

. Dimension	10.4" panel: 9 H x 310 W x 230 D mm
	Case: 76.6 H x 280W x 200.4 D mm
. Weight	10.4" 7Kgs (Incl. M/B)
	8.4" 5 Kgs(Incl. M/B)

### Ordering Information : ( 10.4" & 8.4." Panel PC apply with same M/B )

M/B Model	CPU	LAN Ports	HDD	PCI	Material	Fanless
CV866C1R10E	VIA EDEN 1GHz	1 x 10/100 RealTek	2.5"	NO	Aluminum	Yes
MV823AFER10E	VIA EDEN 1GHz	1 x 10/100 RealTek	2.5"	NO	Aluminum	Yes
CV766C-1R10C	VIA C7 1GHz	1 x 10/100 RealTek	2.5"	NO	Aluminum	Yes
MV700A-FR10C	VIA C7 1GHz	1 x 10/100 RealTek	2.5"	NO	Aluminum	Yes
CI852C-2RN10	Intel Celeron M 1GHz	2 x 10/100 RealTek	2.5"	NO	Aluminum	Yes

### Dimension



## Alternative 8.4" LCD Panel PC



### Panel PC

. Dimension	8.4" panel: 7.2 H x 268 W x 194D mm
	Case: 59 H x 249 W x 175 D mm
. Weight	8.4" 3.2 Kgs(Incl. M/B)

# Panel PC



**Fanless**  
12.1" Panel PC



**Fanless**  
15.1" Panel PC

## 12.1" / 15.1" LCD Panel PC

### Special Feature :

Panel PC provides Water Proof / Touch Screen ( Optional ) / Fanless Function. It can be easily mounted with Wall / Information Mech. / Ticket Mech. ....ect . Open-frame mechanical design is available upon customer's request.

Support VESA75 / VESA100 Mounting Spec.  
Panel frame Water Proof : IP65 Level  
Touch Panel : 3M / AMT , Resistance Type .  
8 Wires for 15.1" / 12.1" Panel PC (option)

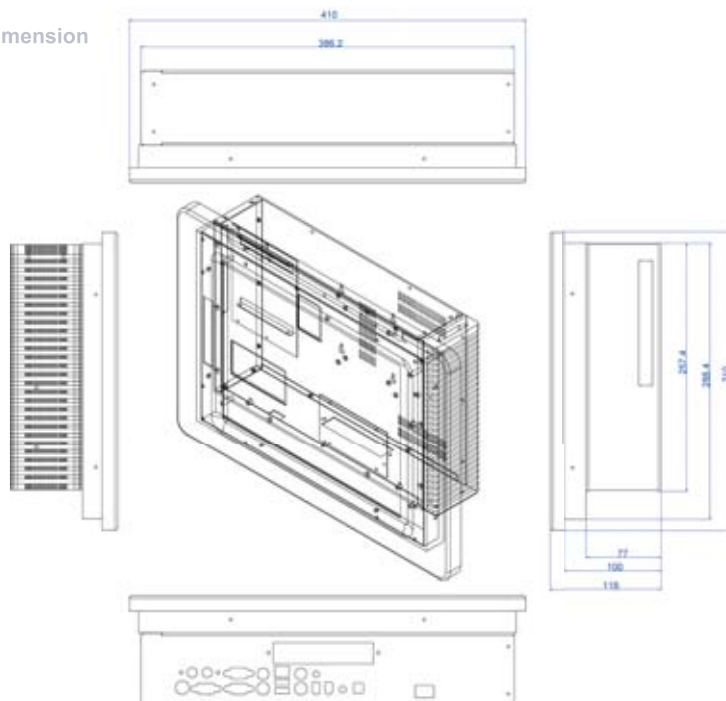
### Fanless Panel PC :

• Dimension	15.1" panel: 9 H x 410 W x 310 D mm
	Case: 102 H x 386.2W x 257.4 D mm
	12.1" panel: 9 H x 360 W x 280D mm
Case:	101 H x 335 W x 257.8 D mm
	• Weight
	12.1" 9 Kgs(Incl. M/B)

Order Information : ( 15.1" & 12.1" Panel PC apply with same M/B )

M/B Model	CPU	CD-ROM	HDD	PCI	Material	Fanless
LV866B-2R10E	VIA EDEN 1Ghz	option with PCI	3.5"	1	Aluminum	-
MV823AFER10E	VIA EDEN 1Ghz	option with PCI	2.5"	1	Aluminum	Yes
CI852C-2RN10	Inter Celeron 1GHz	option	2.5"	-	Aluminum	Yes
MV700A-FR10C	VIA C7 1GHz	option	2.5"	-	Aluminum	Yes

### Dimension



### Alternative 15.1" LCD Panel PC



### Panel PC

• Dimension	15.1" panel: 8.5 H x 418 W x 312D mm
	Case: 98 H x 393 W x 286 D mm
• Weight	15.1" 8.8 Kgs(Incl. M/B)

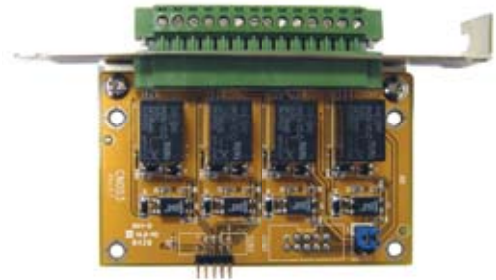


## Interface Exchange Card



### CN002

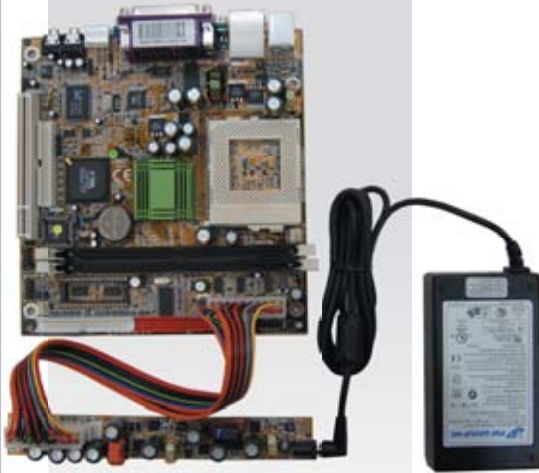
- . Digital IO Connector Board for P878A/H PCI Card
- . 14 Ports DIO (TB) Connector
- . Dimension: 100 x 25 mm ( PCB )



### CN003

- . Digital IO Connector Board for MV823A / SV823A / LV866B Main Board
- . 14 Ports DIO (ORC TB) Connector
- . Dimension: 80 x 50 mm ( PCB )

## Power Board



### PW002

- . DC-In : 12V in
- . DC-Out: ATX 3.3 / 5 / 5VSB /+(-)12V
- . Max: 5 A
- . Power: 60W
- . Dimension: 180 x 25 mm



### PW004

- . DC-In : 14~19V in
- . DC-Out: ATX 3.3 / 5 / 5VSB /+(-)12V
- . Max: 10 A
- . Power: 120W
- . Dimension: 170 x 40 mm



### PW005

- . 24V to 12V DC Transformer Board
- . DC-In : 24V
- . DC-Out: 12V
- . Dimension: 50 x 40 mm

## 1U CPU Cooler Fan



### Cooler

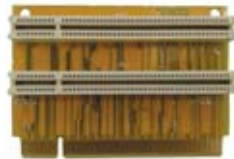
- . RPM: 4000 RPM or 6000 RPM
- . Cable: 50 mm
- . Dimension: 44 x 42 x26 mm

## Riser Card



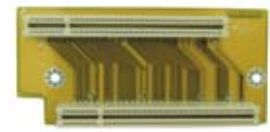
### RS001

- Spec: 1 PCI to 1 PCI
- PCI: V2.1
- Dimension: 106 x 46mm



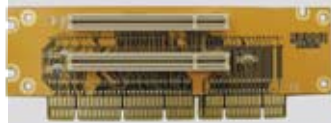
### RS003

- Spec: 1 PCI to 2 PCI
- PCI: V2.1
- Dimension: 85 x 60mm



### RS005

- Spec: 1 PCI to 1 PCI
- PCI: V2.2
- Dimension: 111x 52.1mm



### RP001

- Spec: 1 PISA to 2 PCI and 1 ISA
- PCI: V2.1
- Dimension: 183 x 62mm



### RP002

- Spec: 1 PISA to 1 PCI
- PCI: V2.1
- Dimension: 147 x 36mm



### RS006

- Spec: PCI104 to 3 Mini PCI
- PCI: V2.2
- Dimension: 90.2 x 95.9mm

## Interface Exchange Card



### LD002

- LVDS Converter TTL18bit to LVDS 24bit
- LVDS Connector: x 1
- Connector: 50 pin heads
- Dimension: 50 x 25 mm



### AV001

- Video/Audio-Out Connector  
( For LPX-8601, LV866A, M/B )
- S-Video x 1
- RCA Jack x 1
- Line-In x 1
- Line-Out x 1
- Mic-In x 1
- Dimension: 90 x 20 mm



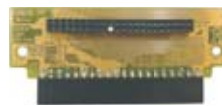
### CF001

- IDE to CF Slot
- IDE : 1 x 40 pin  
1 x 44 pin
- CF Slot : 1 x 50 pin
- Support CF Type : Type I /II
- Support : 5V /3.3 V
- Dimension : 75 x 55.3 mm



### CN012 / CN013

- IDE converter card for 2.5" HDD, 44 pin to 44 pin, support ATA100
- 2x 44 pin (2.0mm) pin header
- CN012: For Intel series mainboard by Light/Neo/Twister system
- CN013: For Intel series mainboard by Tino system
- Dimension: 65 x 26.5 mm (CN012)  
65 x 35 mm (CN013)



### CN016 / CN017

- IDE converter card for 2.5" HDD, 40 pin to 44 pin, support ATA100
- 1x 40 pin (2.54mm) pin header,  
1x 44 pin (2.0mm) pin header
- CN016: For CV763A series mainboard
- CN017: For CV700A/CV700C/CV766C/  
MV700A mainboard
- Dimension: 69 x 22 mm(CN016)  
65.5 x 22 mm(CN017)



### UB001

- USB Connector :
- Pin Head: 8 pin heads
- USB: 2 x USB Connector
- Dimension: 28 x 19 mm ( PCB ) x 17 ( H )

# Chassis Comparison

Chassis	Dimension (mm)	Material	HDD	CD-ROM	FDD	Slot	Power
 <b>TINO</b>	68(H)x245(W)x177(D)	Aluminum	1 x 2.5"	-	-	1 x PCI104	External
	68(H)x245(W)x234(D)-FI852A		2 x 2.5"			-	
 <b>NEO</b>	50(H)x275(W)x172(D)	Aluminum	1 x 2.5"	-	-	-	External
 <b>TWISTER</b>	75(H)x300(W)x173(D)	Aluminum	1 x 2.5"	-	-	1 x PCI	External
	75(H)x300(W)x263(D)-FI852A		1 x 3.5"			-	
 <b>LIGHT</b>	48.5(H)x234(W)x175(D)	Aluminum	1 x 2.5"	-	-	-	External
 <b>BLPX</b>	61(H)x285(W)x240(D)	Aluminum	1 x 3.5"	1 x Slim(option)	-	1 x PCI	External
 <b>MiNi</b>	65(H)x320(W)x334(D)	Aluminum	1 x 3.5"	1 x Slim(option )	-	1 x PCI	External
			2 x 3.5"	-			
 <b>Dual system 19.5/1U Half Size</b>	44.5(H)x440(W)x210(D)	SECC	2 x 2.5"	-	-	-	External
 <b>Dual system 19/1U</b>	44.5(H)x440(W)x500(D) (2 x M/B)	SECC	2 x 3.5" (w / 2 M/B)	2 x Slim(option)	-	-	Internal
	44.5(H)x440(W)x511(D) (4 x M/B)		4 x 2.5" (w / 4 M/B)	-			

# Mainboard Comparison

Mainboard	Chipset	Processor	FSB	Memory	DMA	Audio	VGA	LAN	USB	Serial	Parallel	LVDS	TV-OUT	DOC	CF Socket	Other Function	Form Factor	Board Size(mm)
MI852AW	Intel 852GM/GME	Intel Pentium M/ Celeron M- Dothan processor	400/533	1x DDR SDRAM (1GB)	100	AC97	64MB shared	1	6	2	—	YES	NTSC/PAL	—	1	Touch screen Mini PCI WDT 8 DI/DO Wide range DC-IN	Lex definition	200x150
5I853CW	Intel 852GM/GME	Intel Pentium M/ Celeron M- Dothan processor	400/533	1x DDR SDRAM (1GB)	100	AC97	64MB shared	2	5	4-6	1	YES	—	—	1	Touch screen Mini PCI PCI WDT 8 DI/DO Wide range DC-IN	5.25 inch	203x146
5I852CW	Intel 852GM/GME	Intel Pentium M/ Celeron M- Dothan processor	400/533	1x DDR SDRAM (1GB)	100	AC97	64MB shared	2	5	4-6	1	YES	—	—	1	Touch screen Mini PCI PCI104 WDT 8 DI/DO Wide range DC-IN	5.25 inch	203x146
SI852A	Intel 852GM/GME	Intel Pentium M/ Celeron M- Dothan processor	400/533	1xDDR (1GB)	100	AC97	64MB shared	1	6	2(1x RS485/ 422)	—	YES	NTSC/PAL	—	1	4-16 Video-in WDT 8DI/DO Mini PCI	Lex definition	200x150
FI852A	Intel 852GM/GME	Socket 478 for Intel P-M	400/533	2xDDR (1GB)	100	AC97	64MB shared	1	6	4(1x RS485/ 422)	—	YES	NTSC/PAL	—	1	PCI Mini PCI PCI104	Flex ATX	190x205
CI852A	Intel 852GM/GME	Intel Pentium M/ Celeron M- Dothan processor	400/533	1xDDR (1GB)	100	AC97	64MB shared	4	6	1	—	YES	—	—	1	Mini PCI PCI104	Lex definition	200x150
CI852CW	Intel 852GM/GME	Intel Pentium M/ Celeron M- Dothan processor	400/533	1x DDR SDRAM (1GB)	100	AC97	64MB shared	2	5	4(1x RS485/ 422)	—	YES	—	—	1	Touch screen Mini PCI WDT 8 DI/DO Wide range DC-IN	Lex definition	200x150
CI852C	Intel 852GM/GME	Intel Pentium M/ Celeron M- Dothan processor	400/533	1xDDR (1GB)	100	AC97	64MB shared	2	6	4(1x RS485/ 422)	—	YES	—	—	1	Mini PCI PCI104	Lex definition	200x150
5V700C	VIA CX700M	VIA V4 BUS C7	400/533	1xDDR2 (1GB)	133	AC97	128MB shared	1	5	4-6	1	YES	—	—	1	Mini PCI PCI slot WDT 8 DI/DO SATA	5.25 inch	203x146
MV700A	VIA CX700M	VIA V4 BUS EDEN/C7	400/533	1xDDR2 (1GB)	133	AC97	128MB shared	1	5	1	—	YES	—	—	1	Mini PCI WDT 8 DI/DO SATA	Lex definition	200x150
CV700A	VIA CN700	VIA V4 BUS EDEN/C7	400/533	1xDDR2 (1GB)	133	AC97	64MB shared	3	6	2	1	—	NTSC/PAL (option)	—	1	Mini PCI SATA	Lex definition	200x150
CV700C	VIA CN700	VIA V4 BUS EDEN/C7	400/533	1xDDR2 (1GB)	133	AC97	64MB shared	1	7	4(1xRS485/ 422)	1	—	NTSC/PAL (option)	—	1	SATA	Lex definition	200x150
CV763A	VIA CN700	VIA V4 BUS EDEN/C7	400/533	1xDDR2 (1GB)	133	AC97	64MB shared	4	7	1	—	—	NTSC/PAL (option)	—	1	WDT 4DI/DO SATA 2PCMCIA	Lex definition	200x150
CV766C	VIA CN700	VIA V4 BUS EDEN/C7	400/533	1xDDR2 (1GB)	133	AC97	64MB shared	1	7	4-6 (1xRS485/ 422)	1	YES	—	—	1	Touch screen Mini PCI WDT 8 DI/DO SATA	Lex definition	200x150
CV860A	VIA PLE133	EBGA VIA C3/EDEN	100/133	1xSDRAM (512MB)	100	AC97	8MB shared	1-3	3	2	1	—	—	1	1	—	Lex definition	200x150
CV862A	VIA PLE133	EBGA VIA C3/EDEN	100/133	1xSDRAM (512MB)	100	AC97	8MB shared	1-3	3	2	1	—	—	1	1	—	Lex definition	200x150
CV863A	VIA CLE266	EBGA VIA C3/EDEN	100/133	1xDDRAM (512MB)	100	AC97	64MB shared	3-4	4	1	—	—	—	—	1	2PCMCIA	Lex definition	200x150
CV863B	VIA CLE266	EBGA VIA C3/EDEN	100/133	1xDDRAM (512MB)	100	AC97	64MB shared	3-4	3	—	—	—	—	—	1	2PCMCIA	Lex definition	200x150
CV860C	VIA PLE133	EBGA VIA C3/EDEN	100/133	1xSDRAM (512MB)	100	AC97	8MB shared	1	3	4(1xRS485/ 422)	1	—	—	1	1	—	Lex definition	200x150
CV866C	VIA PN133T	EBGA VIA C3/EDEN	100/133	1xSDRAM (512MB)	100	AC97	32MB shared	1	3	4(1xRS485/ 422)	1	YES	—	1	1	WDT 4DI/DO	Lex definition	200x150
SV823A	VIA CLE266	EBGA VIA C3/EDEN	100/133	1xDDR (512MB)	100	AC97	64MB shared	1	3	2(1xRS485/ 422)	—	—	NTSC/PAL	—	1	4-16 Video-in WDT 4DI/DO	Lex definition	200x150
MV823A	VIA CLE266	EBGA VIA C3/EDEN	100/133	1xDDR (512MB)	100	AC97	64MB shared	1	3	2	—	YES	NTSC/PAL	—	1	2 x1394 1 x Video-in SPDIF-OUT	Lex definition	200x150
MV823S	VIA CLE266	EBGA VIA C3/EDEN	100/133	1xDDR (512MB)	100	AC97	64MB shared	1	3	2	—	—	NTSC/PAL	—	1	SPDIF-OUT	Lex definition	200x150
LPX8601	VIA PLE133	EBGA VIA C3/EDEN	100/133	2xSDRAM (1GB)	100	AC97	8MB shared	1	4	4(1xRS485/ 422)	2	—	NTSC/PAL (option)	1	—	WDT 4DI/DO	Mini LPX	220x190
LV866A	VIA PN133T	EBGA VIA C3/EDEN	100/133	2xSDRAM (1GB)	100	AC97	32MB shared	1	4	4(1xRS485/ 422)	2	YES	NTSC/PAL (option)	1	—	WDT 4DI/DO	Mini LPX	220x190
LV866B	VIA PN133T	EBGA VIA C3/EDEN	100/133	2xSDRAM (1GB)	100	AC97	32MB shared	2	4	4(1xRS485/ 422)	1	YES	NTSC/PAL (option)	1	1	WDT 4DI/DO	Mini LPX	220x190