



CV700A / CV702A Series

Application
Network Appliances for Firewall, VPN, Server and Access Controller for Wire/Wireless LAN.

Features



Specifications

- . CPU type VIA Eden(V4)/ ULV / C7 nano BGA2 400 pin, L1/L2 128K on die
- . Front Side Bus 400/533 MHz
- . MB Chipset VIA CN700 + VIA VT8237R Plus
- . Graphics Integrated with VIA CN700
 Shared system memory up to 64MB
 MPEG-2 hardware VLD
 Resolution up to 1600 x 1200
- . TV-Out (option) NTSC(M, J) or PAL(B,D,G,H,I,M,N,Nc)
- . Memory 1 x DDR II SDRAM 533/400 (max. 1GB)
- . IDE Ultra DMA-133/100/66 transfer protocols
 1 x 40 pin 2.54mm, 1 x 44 pin 2.0mm
 Support Compact Flash card type II for ATA interface
- . SATA One channel connector
 SATA drive transfer rate is capable of up to 150MB/s
- . Audio AC-Link for Audio CODEC, AC'97 2.1(for CV700A only)
- . LAN 3 x Realtek 10/100 Mbps (optional Realtek/Intel Gigabit)
 Intel 82541PI or Realtek RLT8100C/RLT8110SC LAN Chip
- . IO function 2 x RS232
 Supports Hardware Monitor Controller
 Supports Infrared SIR and FIR
 Supports one printer port
- . USB 6 x USB 2.0 (3 external + 3 internal)
- . WDT (option) Hardware Watch Dog Timer, 0~255 sec programmable
- . Expand interface 1 x Mini PCI for only PCI rev: 2.2 interface
- . Power On board DC +12V convert to +3.3V/+12V/+5V for system
- . Dimension 200 x 150 mm

- . Operation Temperature: 0 ~ 60°C
- . Operation Humidity: 5~95% @ 60°C, non-condensing

Ordering Information

- . CV700A/702A-3R50E 3 Realtek LAN, 500MHz, VIA Eden(V4) processor
- . CV700A/702A-3R10C 3 Realtek LAN, 1GHz, VIA C7 processor
- . CV700A-3U10C 3 Intel LAN, 1GHz, VIA C7 processor

Testing environment

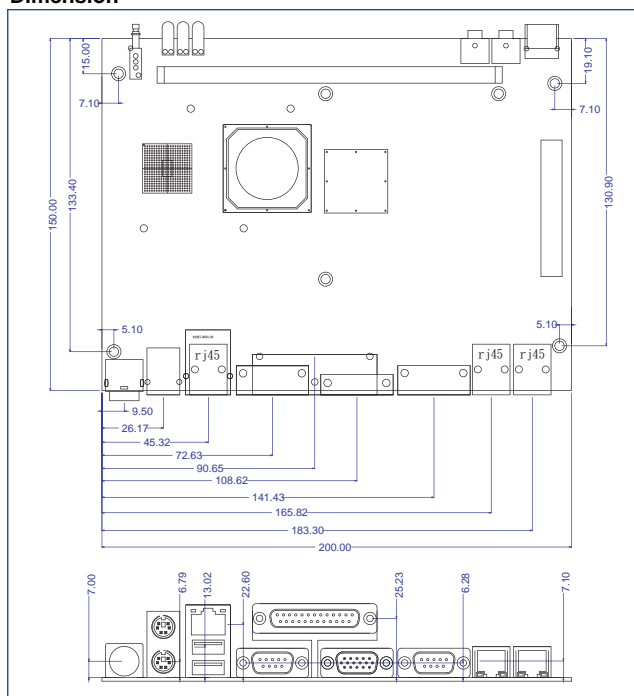
Model name : CV700A-3R10C
 CPU : VIA V4 C7 1GHz
 Chipset : VIA CN700 & VIA VT8237R PLUS
 OS : WIN XP
 Testing Program : 3D Mark 2001 SE

Fanless solution with CF card			
Chassis	Light	Neo	Twister
Temperature			
0°C	Pass	Pass	Pass
25°C	Pass	Pass	Pass
40°C	Pass	Pass	Pass
60°C	FAN	Pass	Pass

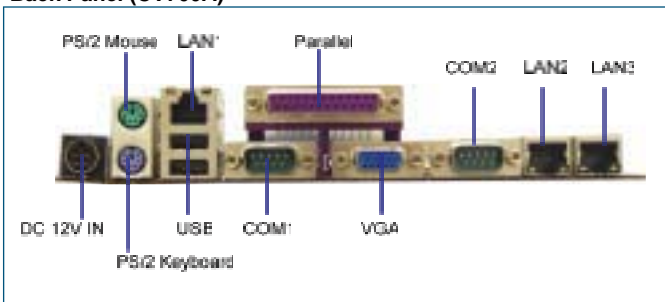
Fanless solution with 2.5" HDD			
Chassis	Light	Neo	Twister
Temperature			
0°C	Pass	Pass	Pass
25°C	Pass	Pass	Pass
40°C	FAN	Pass	Pass

Please upgrade the hard drive to industrial grade for better temperature performance.

Dimension



Back Panel (CV700A)



Back Panel (CV702A)

