

BRIK Series



3V700D Back Panel



6 COM ver.



2.5" HDD ver.



3.5" HDD ver.

Compact design for 3.5" SBC, excellent cooling function

Application :
Network device, VPN, Firewall

Technical Data :

. Dimension	52(H) x 187(W) x 130(D) (2.5" HDD ver.)
. Dimension	73(H) x 187(W) x 130(D) (3.5" HDD ver.)
. Dimension	80(H) x 187(W) x 130(D) (6 COM ver.)
. Material	Aluminum
. Color	Blue & Silver
. VESA Mounting	75 x 75 mm
. Weight (Incl. M/B)	1.3Kgs (2.5" HDD ver.)
	1.6Kgs (3.5" HDD ver.)
	1.8Kgs (6 COM ver.)
. Storage Space	2.5" HDD / 3.5" HDD
. Operating temperature	0~40°C (with HDD)
	0~50°C (with CF card)

Optional Accessory :

- . Wall mount kit

M/B Information: (Please refer to M/B specification)



M/B Model	Description
3V700A	1 LAN / VGA / USB
3V700D	3 LAN / VGA or COM
3I270A	Intel Atom N270, 1 LAN / VGA / COM
3I270D	Intel Atom N270, 4 LAN / VGA



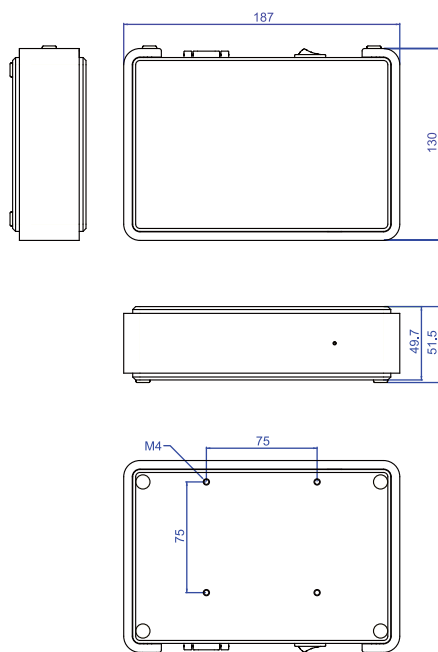
3V700A



3V700D

BRIK Chassis without top-cover

Dimension: 2.5" HDD ver.



Dimension: 3.5" HDD ver.

